

.16 DIA

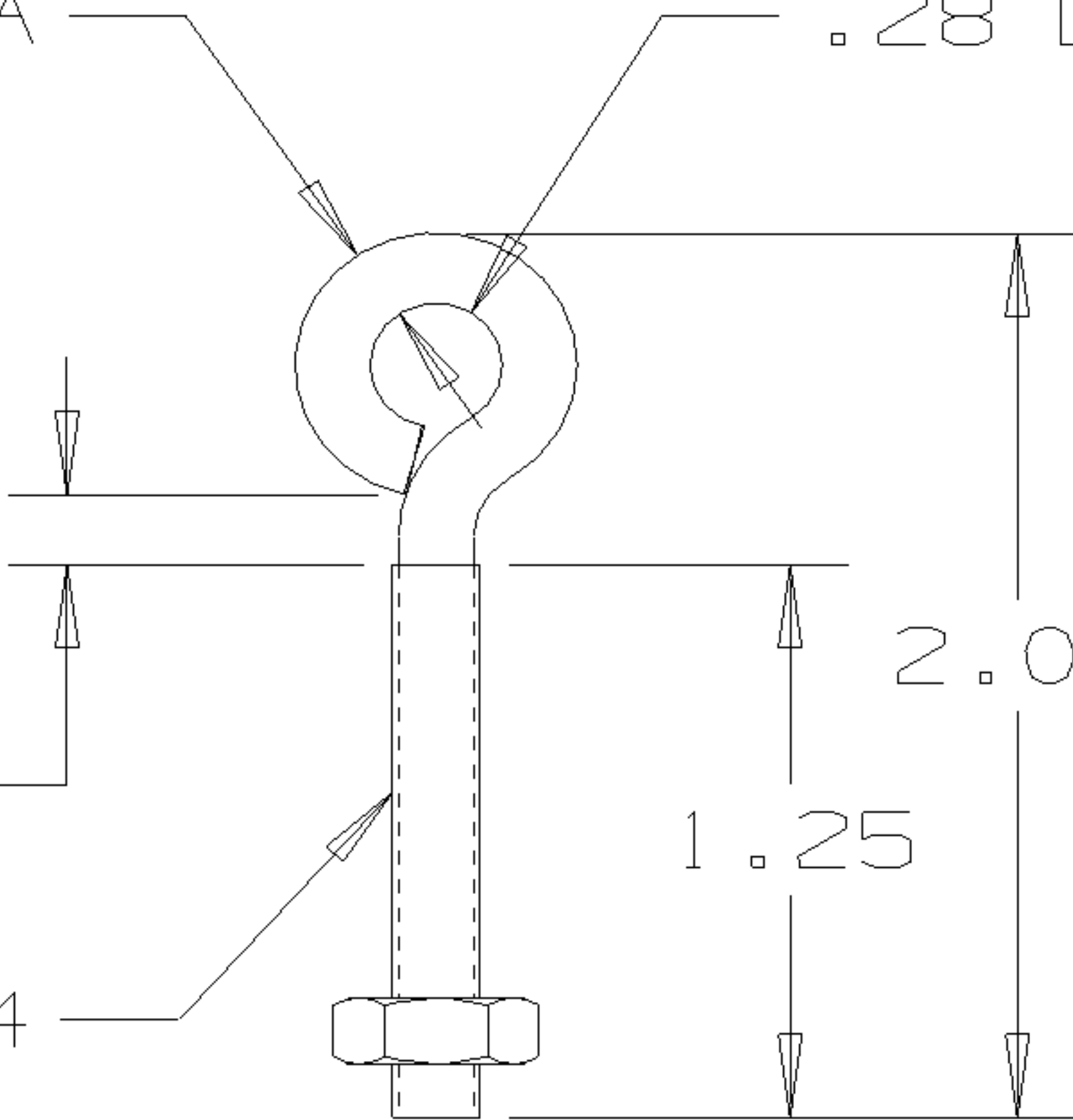
.28 DIA

.16

#10-24

2.00

1.25



Dimensions shown are nominal and subject to change. For critical design specification, contact techinfo@natman.com
©2000 National Manufacturing Co.