

NEVER LEAVE THE HEATER UNATTENDED WHILE BURNING!

OPERATING INSTRUCTIONS AND OWNER'S MANUAL



KEROSENE FORCED-AIR HEATER

Model #

MH50KR, MH75KTR,
MH125KTR, MH175KTR,
MH210KTR

READ INSTRUCTIONS CAREFULLY: Read and follow all instructions. Place instructions in a safe place for future reference. Do not allow anyone who has not read these instructions to assemble, light, adjust or operate the heater.



⚠ WARNING: If the information in this manual is not followed exactly, a fire or explosion may result causing property damage, personal injury or loss of life.

- Do not store or use gasoline or other flammable vapors and liquids in the vicinity of this or any other appliance.
- Service must be performed by a qualified service agency.

This is an unvented portable heater. It uses air (oxygen) from the area in which it is used. Adequate combustion and ventilation air must be provided. Refer to page 3.

WARNING:

⚠ YOUR SAFETY IS IMPORTANT TO YOU AND TO OTHERS, SO PLEASE READ THESE INSTRUCTIONS BEFORE YOU OPERATE THIS HEATER.

GENERAL HAZARD WARNING:

⚠ FAILURE TO COMPLY WITH THE PRECAUTIONS AND INSTRUCTIONS PROVIDED WITH THIS HEATER, CAN RESULT IN DEATH, SERIOUS BODILY INJURY AND PROPERTY LOSS OR DAMAGE FROM HAZARDS OF FIRE, EXPLOSION, BURN, ASPHYXIATION, CARBON MONOXIDE POISONING, AND/OR ELECTRICAL SHOCK.

⚠ ONLY PERSONS WHO CAN UNDERSTAND AND FOLLOW THE INSTRUCTIONS SHOULD USE OR SERVICE THIS HEATER.

⚠ IF YOU NEED ASSISTANCE OR HEATER INFORMATION SUCH AS AN INSTRUCTIONS MANUAL, LABELS, ETC. CONTACT THE MANUFACTURER.

WARNING:

⚠ **CARBON MONOXIDE CAN KILL YOU**
USING A PORTABLE HEATER IN AN ENCLOSED AREA CAN PRODUCE DEADLY CARBON MONOXIDE.

WARNING:

⚠ NOT FOR HOME OR RECREATIONAL VEHICLE USE

WARNING:

⚠ FIRE, BURN, INHALATION, AND EXPLOSION HAZARD. KEEP SOLID COMBUSTIBLES, SUCH AS BUILDING MATERIALS, PAPER OR CARDBOARD, A SAFE DISTANCE AWAY FROM THE HEATER AS RECOMMENDED BY THE INSTRUCTIONS NEVER USE THE HEATER IN SPACES WHICH DO OR MAY CONTAIN VOLATILE OR AIRBORNE COMBUSTIBLES, OR PRODUCTS SUCH AS GASOLINE, SOLVENTS, PAINT THINNER, DUST PARTICLES OR UNKNOWN CHEMICALS.

WARNING:

The State of California requires the following warning:

COMBUSTION BY-PRODUCTS PRODUCED WHEN USING THIS PRODUCT CONTAIN CARBON MONOXIDE, A CHEMICAL KNOWN TO THE STATE OF CALIFORNIA TO CAUSE CANCER AND BIRTH DEFECTS (OR OTHER REPRODUCTIVE HARM).

THIS PRODUCT CONTAINS CHEMICALS KNOWN TO THE STATE OF CALIFORNIA TO CAUSE CANCER AND BIRTH DEFECTS OR OTHER REPRODUCTIVE HARM.

WARNING:

- DO NOT USE GASOLINE, NAPHTHA OR VOLATILE FUELS.
- STOP HEATER BEFORE ADDING FUELS.
- ALWAYS FILL OUTDOORS AWAY FROM OPEN FLAME.
- DO NOT USE EXTERNAL FUEL SOURCE.
- DO NOT OPERATE HEATER WHERE FLAMMABLE LIQUIDS OR VAPORS MAY BE PRESENT.
- DO NOT START HEATER WHEN CHAMBER IS HOT.
- DO NOT START HEATER WHEN EXCESS FUEL HAS ACCUMULATED IN THE CHAMBER.
- DO NOT PLACE COOKING UTENSILS ON TOP OF THE HEATER.
- PLUG ELECTRICAL CORD INTO A PROPERLY GROUNDED THREE-PRONG RECEPTACLE.

MH50KR & MH75KTR WARNING:

Not suitable for use on wood floors or other combustible materials. When used the heater should rest on a suitable insulating material at least 1 inch thick and extending 3 feet or more beyond the heater in all directions.

CONTENTS

WARNINGS	2
HEATER SPECIFICATIONS	3
OPERATING PRECAUTIONS	3
SAFETY PRECAUTIONS	3
OPERATING INSTRUCTIONS	3
MAINTENANCE, STORAGE AND SERVICE	4
TROUBLESHOOTING	6
WIRING DIAGRAM	7
PARTS LIST	8
EXPLODED VIEW	9
WARRANTY	10
INSTRUCTIONS FOR ORDERING PARTS	10






LANGUAGES

► ENGLISH	1-10
FRENCH	1-10
SPANISH	1-12

SPECIFICATIONS

CAUTION: CSA certified for use with only No. 1-K kerosene fuel.

Factory Tested: Kerosene, Diesel #1 and #2, Fuel Oil #1 and #2, JP8 (Jet A Fuel)

Model	50KR	75KTR	125KTR	175KTR	210KTR
Burn Rate:	50,000 Btu/hr (14.7 kW)	75,000 Btu/hr (22 kW)	125,000 Btu/hr (37 kW)	175,000 Btu/hr (51 kW)	210,000 Btu/hr (61.5 kW)
Fuel Rate:	0.37 gal/hr (1.4 L/hr)	0.55 gal/hr (2.1 L/hr)	0.96 gal./hr (3.5 L/hr)	1.3 gal/hr (5.0 L/hr)	1.6 gal/hr (6.0 L/hr)
Electrical Input:	115V, 60Hz, 3.5a	115V, 60Hz, 4a	115V, 60Hz, 5.5a	115V, 60Hz, 5.5a	115V, 60Hz, 5.5a
Line Protection:	10 amps	10 amps	20 amps	20 amps	20 amps
Min. Operating Voltage:	110V	110V	110V	110V	110V
Pressure Setting:	3.5 psig (24 kPa)	4.2 psig (29 kPa)	5.0 psig (35 kPa)	6.8 psig (47 kPa)	8.4 psig (58 kPa)
Max. Outlet Temperature:	1450°F (787°C)	1450°F (787°C)	1450°F (787°C)	1450°F (787°C)	1450°F (787°C)
Fuel Tank Capacity:	4 gallons (15.1 L)	6 gallons (22.7 L)	8.45 gallons (32 L)	13.5 gallons (51 L)	13.5 gallons (51 L)
Ignition:	Direct Spark, Continuous	Direct Spark, Continuous	Direct Spark, Continuous	Direct Spark, Continuous	Direct Spark, Continuous
Spark Generator:	Igniter 13 kV, 10ma	Igniter 13 kV, 10ma	Igniter 13 kV, 10ma	Igniter 13 kV, 10ma	Igniter 13 kV, 10ma
Primary Safety Control:	Solid State Control	Solid State Control	Solid State Control	Solid State Control	Solid State Control
Certification:					

OPERATING PRECAUTIONS

This is a kerosene, direct-fired, forced air heater. It's intended use is primarily temporary heating of buildings under construction, alteration or repair.

Direct-Fired means that all of the combustion products enter the heated space. Even though this heater operates very close to 100 percent combustion efficiency, it still produces small amounts of carbon monoxide. Carbon monoxide (called CO) is toxic. CO can build up in a heated space and failure to provide adequate ventilation could result in death. The symptoms of inadequate ventilation are:

- headache
- dizziness
- burning eyes and nose
- nausea
- dry mouth or sore throat

Be sure to follow advice about ventilation in the Safety Precautions section.

Forced Air means that a blower or fan pushes the air through the heater. Proper combustion depends upon this air flow; therefore, the heater must not be revised, modified or operated with parts removed or missing. Likewise, safety systems must not be circumvented or modified in order to operate the heater.

When the heater is to be operated in the presence of other people the user is responsible for properly acquainting those present with the safety precautions and instructions, and of the hazards involved.

SAFETY PRECAUTIONS

1. Recommended for use with No.1-K kerosene fuel. Factory tested for use with No.2-K kerosene, No.1 or No.2 Diesel, No.1 or No.2 fuel oil or JP8 Jet A fuel and these fuels may be used as well. Never use gasoline, biodiesel, oil drained from crank cases, naphtha, paint thinners, alcohol or any other highly flammable fuels.
2. Check the heater thoroughly for damage. DO NOT operate a damaged heater.
3. DO NOT modify the heater or operate a heater which has been modified from its original condition.
4. Suitable for either outdoor or indoor use where adequate ventilation is provided. Never use in areas normally for habitation. Not for use where exposed to weather.
5. Use in well ventilated areas, provide at least 2 sq. ft. (0.19 sq. m.) of opening near the floor and 2 sq. ft. (0.19 sq. m.) near the ceiling directly to outdoors. Increase air openings as

marked for each additional heater.

6. Always keep combustibles, like paper and wood at least 8 ft. (2.4 m) from the heater outlet and 3 ft. (1.0 m) from the top, sides and inlet. Locate 10 ft. (3.0 m) from canvas or plastic coverings and secure them to prevent flapping movement.
7. Caution: Due to the high surface and exhaust temperatures, adults and children must observe clearances to avoid burns or clothing ignition. Do Not Touch. Keep children, clothing, and combustible away.
8. Install the heater such that it is not directly exposed to water spray, rain and / or water.
9. Never use in areas normally for habitation and /or where children may be present.
10. Operate only on a stable, level surface. (MH50KR & MH75KTR – See wood floor warning).
11. Do not use with duct work. Do not restrict inlet or exit.
12. Use only with electrical power specified. The electrical connection and grounding must comply with National Electrical Code – ANSI/NFPA 70 (USA) and CSA C22.1 Canadian Electrical Code, Part 1 (Canada).
13. Use only a properly grounded 3-prong receptacle or extension cord.
14. Do not move, handle, or service while hot or in operation.
15. Use only in accordance with local, state (provincial) or national requirements, ordinances and codes.

OPERATING INSTRUCTIONS

UNPACKING

1. Remove heater from carton.
2. Remove all protective material which may have been applied to the heater for shipment.
3. Check the heater for possible shipping damage. If any damage is found immediately contact the manufacturer at 800-251-0001.

ASSEMBLY (For 125,000, 175,000 and 210,000 BTU/hr models only, see figure 1, page 8.)

Wheels and handles are found in the shipping carton along with mounting hardware. The wheels, axle and mounting hardware are in a package. Tools required are a 5/16" nut driver, 3/8" open or adjustable wrench and standard pliers.

1. Assemble the wheels onto the wheel support as shown.
2. Install one of the cotter pins into the hole on one end of axle.

Operating Instructions and Owner's Manual

NEVER LEAVE THE HEATER UNATTENDED WHILE BURNING!

- Slide the large washer, then wheel onto the axle next to the cotter pin.
- Slide the spacer onto the axle next to the wheel.
- Slide the partially assembled axle through the wheel support frame.
- Slide the spacer onto the axle next to the wheel support.
- Slide the wheel, then large washer onto the axle and hold in place with the remaining cotter pin.
- Install the caps over the larger washers to finish the wheel assembly.

PREPARING FOR OPERATION

- Check the heater for possible shipping damage. If any is found, immediately contact the manufacturer at 800-251-0001.
- Follow all of the "Precautions".
- Fill the fuel tank with clean kerosene. In extremely cold weather, condensation may develop in the tank and it is recommended that a tablespoon of de-icer be added for each gallon (3.78 Liters) of fuel in the tank. When filling the heater, use at least 2 gallons (7.57 liters) of fuel. Be sure heater is level and do not overfill. Use a funnel or can with a long fill spout.

IMPORTANT: Before filling fuel tank the first time or after extended storage periods, drain the fuel tank of any moisture or condensation.

- Locate heater at a safe distance from combustible materials. Models MH50KR & MH75KTR are not suitable for use on wood floors or other combustible materials. When used, the heater should rest on suitable insulating material at least 1 inch thick and extending 3 ft. or more beyond the heater in all directions.

HEATER START UP

- MH50KR:** Plug the heater into a grounded 115V, 60 Hz, 1 Ø outlet.
MH75KTR, MH125KTR, MH175KTR & MH210KTR: Turn thermostat to lowest setting, and make sure "On/Off" switch is "Off". Plug the heater into a grounded 115V, 60 Hz, 1 Ø outlet. Turn thermostat to highest setting. Start heater by pushing toggle switch to "On" position (light signifies switch is in "ON" position). Adjust thermostat to desired setting. Heater will cycle on/off as heat is required.
EXTENSION CORD REQUIREMENTS: Up to 100' (30.5m) use 16 avg. conductor. 101' - 200' (30.5 - 61.0m) use 14 avg. conductor.

For all models:

- In cold weather (below 10 F), starting may be improved by holding a finger over the vent hole of the pump adjustment screw cap until the heater starts.
- This unit is equipped with an interrupt circuit. The reset is integrated into the "On/Off" switch. If the unit does not start, toggle the switch to "Off", wait 5 min. and toggle the switch to "On".

HEATER SHUT DOWN

- MH50KR:** Unplug heater from power source.
MH75KTR, MH125KTR, MH175KTR & MH210KTR: Push "On/Off" switch to "Off" position. For extended shutdown, unplug heater from power source.

RESTART AFTER SAFETY SHUTDOWN (MH50KR, MH75KTR, MH125KTR, MH175KTR & MH210KTR) See page 7

MH50KR - Unplug unit. Wait 5 minutes. Plug back in.
MH75KTR, MH125KTR, MH175KTR & MH210KTR - Toggle switch to "OFF" position, wait 5 minutes. Restart.

MAINTENANCE AND STORAGE

WARNING. To prevent personal injury, unplug the heater from the wall outlet before servicing.

For maximum efficiency and trouble-free service, make the following periodic maintenance, cleaning and inspections.



ADJUSTING PUMP PRESSURE

Due to varying fuel viscosities and normal component wear the pump pressure on this heater may need to be adjusted.
IMPROPER PRESSURE ADJUSTMENT

FUEL PRESSURE ADJUSTMENT SCREW
(located at the rear of the heater)



ADJUSTMENT PROCEDURE

- Fill fuel tank.
- Start heater.
- Locate the pressure adjustment screw and pressure tap, pictured above, located on the back of the power pack assembly and accessible by the handle of the heater.
- Remove and the rubber cap over the fuel pressure adjustment screw.
- Using a flat bladed screw driver, turn the pump pressure adjustment screw:
 - clockwise  to increase pump pressure
 - counter-clockwise  to decrease pump pressure
- By using the installed pressure gauge you may quantitatively calibrate the pressure. The manufacturer's recommended pump pressures are in the specifications chart on page 3.
- The desired qualitative burner characteristics are that the nose cone in the combustion chamber should be cherry red with no dark spots and the flame should not extend beyond the nose cone.

Problem: Heater does not have a strong consistent flame.
Heater smokes and spits raw fuel.
Nose cone does not get cherry red.

Adjustment: Pump pressure is too low.
Turn adjustment screw clockwise to increase pump pressure.

Problem: Flame extends beyond the end of the heater.

Adjustment: Pump pressure is too high.
Turn adjustment screw counter clockwise to decrease pump pressure.

DAILY SCHEDULE

1. **GENERAL.** Make general visual inspection of heater for loose or damaged parts. Check nuts and bolts to insure against looseness caused by vibration or rough handling. Damaged parts should be repaired or replaced before using heater again. Check heater operation to be sure it is operating normally (See "Servicing" section for description of normal operation).
2. **FILTERS.** Dirty air or fuel filters will cause an imbalance in the air-fuel mixture. The best indication that this condition exists is an increase in odors or difficulty getting your heater to ignite. This heater should never be operated without the filters in place. If required, clean filters as described under "500 Hours" and "Annual Schedules".

500 HOUR SCHEDULE

1. **AIR INTAKE FILTER.** Remove and wash the filter element with a mild detergent, dry thoroughly and replace. Do not oil the filter element. If your heater is used where there is considerable dust or dirt, clean as often as necessary (approximately every 50 hrs.).
2. **REMOVE DUST.** Clean heater twice a season (more often under dusty conditions). Remove accumulated dust from the transformer, burner, motor and fan blades with compressed air. Wipe area clean with a clean dry cloth. Inspect area to ensure all foreign materials are removed, especially around the burner and combustion area.
3. **CAD CELL.** Clean the glass portion of the cad cell with a soft dry cloth.
4. **NOZZLE.** Accumulation of dirt from fuel and carbon from the compressor vanes will eventually fill up the passages in the nozzle, resulting in reduction of fuel and air flow. Pressure will gradually increase giving improper fuel-air mixture and excess odor and smoke. If this occurs, replace the fuel nozzle.
5. **FUEL TANK.** Clean twice a season (during frequently used periods, clean twice a month). Drain and flush the fuel tank with clean fuel oil.

ANNUAL SCHEDULE

1. **AIR OUTPUT FILTER.** Remove the air output filter and tap the contaminated side gently on a solid object to remove contaminates. Compressed air or liquids should not be used to clean this filter. Reinstall cleaned filter in filter body in the same position as it was when removed. If the filter appears extremely dirty, replace it with a new filter of the same type. When replacing the filter cover, be sure the gasket is firmly in place and the screws in the filter cover are tight to prevent air leaks.
2. **FUEL FILTER.** Remove the fuel filter from fuel line and direct compressed air through the filter in the opposite direction of fuel flow. Safety glasses should be worn when using compressed air.
3. **AIR AND FUEL LINES.** If the air or fuel lines are removed during cleaning, be sure all connections are tight before operating unit.

STORAGE

Store the heater in a dry location free from fumes or dust. At the end of each heating season, clean the heater as described in the MAINTENANCE section. Drain and flush the fuel tank with clean fuel. The manufacturer recommends completely filling the tank with fuel for extended storage to minimize condensation inside the tank.

It is recommended to only store kerosene in containers that are marked "KEROSENE".

SERVICING

A hazardous condition may result if a heater is used that has been modified or is not functioning properly.

When the heater is working normally:

- * The flame is contained within the heater.
- * The flame is essentially yellow.
- * There is no strong disagreeable odor, eye burning or other physical discomfort.
- * There is no smoke or soot internal or external to the heater.
- * There are no unplanned or unexplained shutdowns of the heater.

NEVER LEAVE THE HEATER UNATTENDED WHILE BURNING!

DIAGNOSTIC SAFETY SHUTDOWN AND TROUBLE SHOOTING

Model **MH125KTR**, **MH175KTR** and **MH210KTR** heaters are equipped with a diagnostic control board and flashing LED error indicator. This flashing LED signals indicate unit operation status. See the following diagnostic guide for unit status and corrective action if necessary.

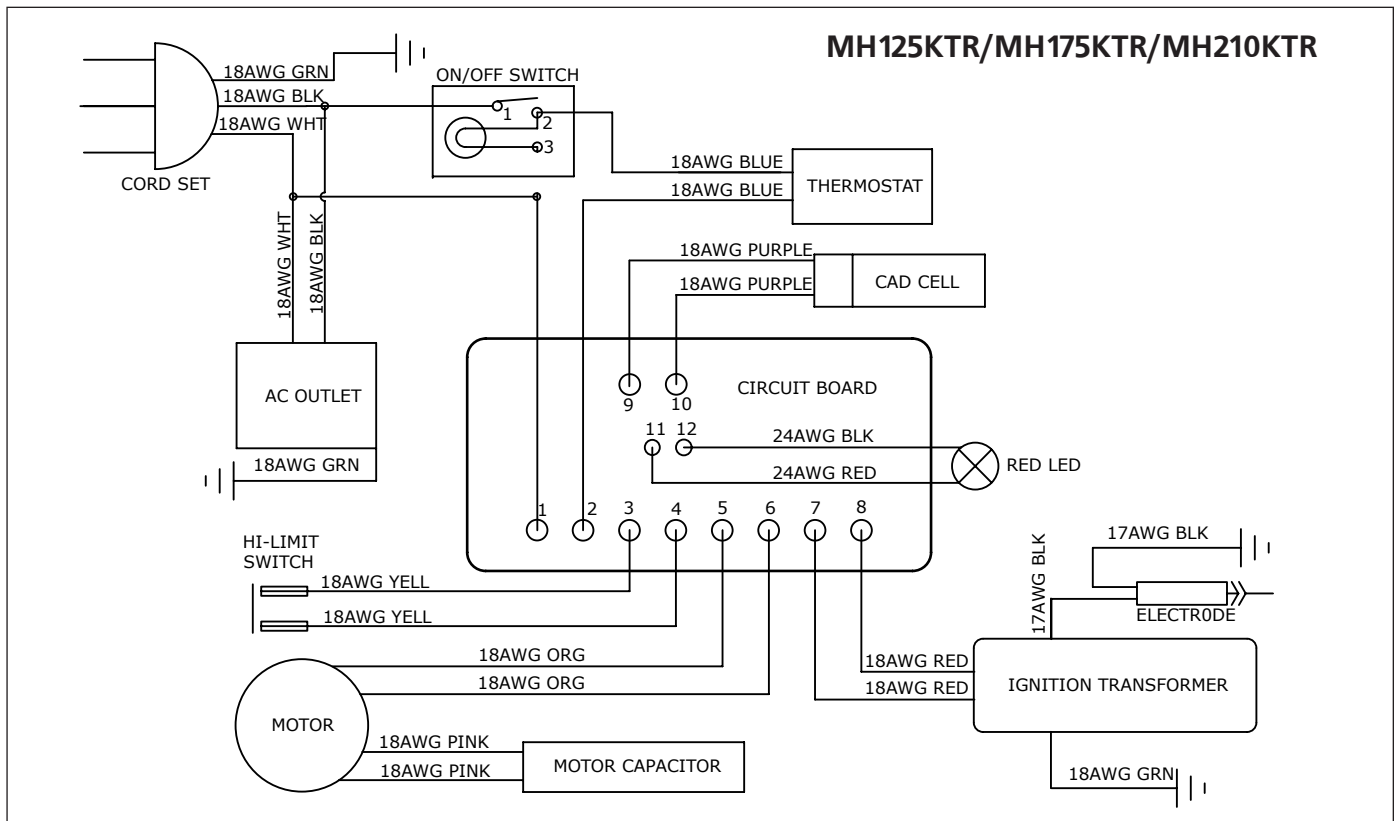
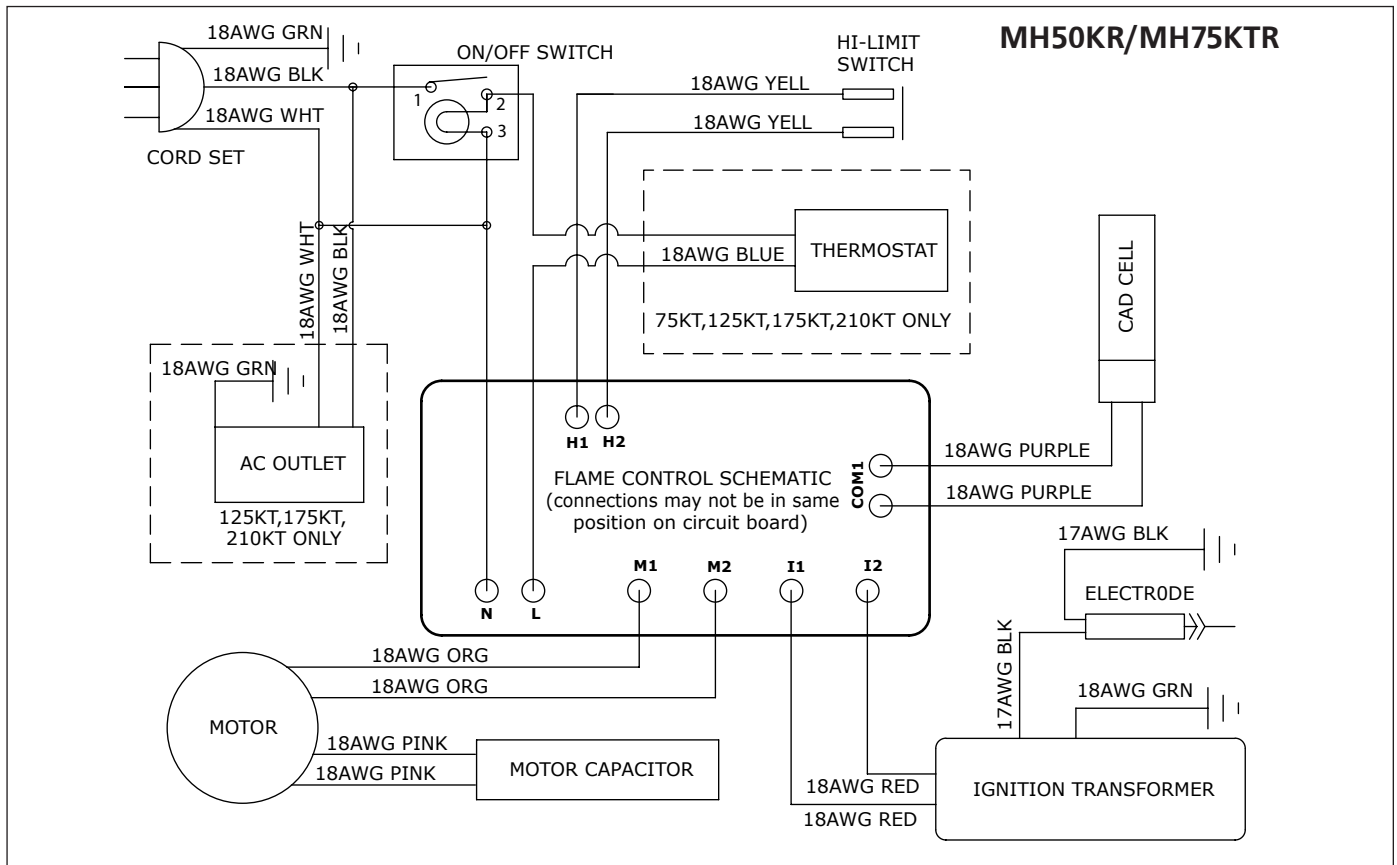
LED	UNIT OPERATION	TROUBLE SHOOTING
Steady ON	System Check	System performing self test. No action required.
Steady OFF	Operation OK	No action required.
2 Flashes	No flame detected	<p>Heater fails to start during the first 30 sec. of operation.</p> <ol style="list-style-type: none"> 1. Check wiring to motor (per wiring schematic in manual). 2. Make sure that the pressure gauge is in place and not damaged. 3. Adjust pressure for proper heater operation per manual. 4. With heater disconnected from AC source, rotate fan clockwise to verify motor is free. 5. Remove air filter housing from motor and inspect the pump rotor for damage. If damaged, replace rotor assembly. 6. If wiring is correct, pump rotor is okay, and motor is not rotating freely, replace motor or power-pack assembly. 7. If problem persists, replace oil flame control assembly. 8. Check for spark arching from the electrode assembly (ref. #41), to the combustion cylinder (ref. #39). 9. Check the cad cell (ref. #38) for continuity.
3 Flashes	High limit switch failure	<ol style="list-style-type: none"> 1. Make sure heater is cooled off, press reset switch and retry.
4 Flashes	CAD Cell Failure	<ol style="list-style-type: none"> 1. Check wiring to cad cell (per wiring schematic in manual). 2. Clean cad cell photo cell. <ul style="list-style-type: none"> • Slide cad cell out of cad cell holder. • Push the photo cell out of the black rubber cad cell housing by pushing on the 2 purple wires. • Clean the photo cell with a soft cloth and rubbing alcohol. • Pull the photo cell back into the cad cell housing and reinstall into holder. • Test heater. 3. If the heater still does not operate, replace cad cell. 4. Replace oil flame control assembly.
Power Light	Power to control	<ol style="list-style-type: none"> 1. Sensing power. No action required.

Model **MH50KR** and **MH75KTR** heaters are NOT equipped with a diagnostic control board or flashing LED error indicator. See the following troubleshooting guide for unit status and corrective action if necessary.

SYMPTOM	TROUBLE SHOOTING
High limit switch Open Circuit	<ol style="list-style-type: none"> 1) Make sure heater is cooled off, toggle switch to "OFF" position, wait 5 minutes and retry.
Sparks, calling for flame, but no or slow motor operation	<ol style="list-style-type: none"> 1) Check wiring to motor (per wiring schematic in manual). 2) Make sure that the pressure gauge is in place and not damaged. 3) Adjust pressure for proper heater operation per manual. 4) With heater disconnected from AC source, rotate fan clockwise to verify motor is free. 5) Remove air filter housing from motor and inspect the pump rotor for damage. If damaged, replace rotor assembly. 6) If wiring is correct, pump rotor is okay, and motor is not rotating freely, replace motor or power-pack assembly. 7) If problem persists, replace oil flame control assembly. 8) Check for spark arching from the electrode assembly, to the combustion cylinder. 9) Check the cad cell for continuity.
No Spark	<ol style="list-style-type: none"> 1) Check length and gage of extension cord for proper amp. draw. (Check requirements on page 4.) 2) Check wiring to igniter (per wiring schematic in manual). 3) Check gap between electrode probes (2.3 - 3 mm). 4) Still no spark, replace igniter assembly. 5) Replace oil flame control assembly.
Abnormal Motor Operation - Motor overheats or Stops	<ol style="list-style-type: none"> 1) Motor speed too low (Motor should operate at 3450rpm) - Replace motor. 2) With heater disconnected from AC source, rotate fan clockwise to verify motor is free. 3) Remove air filter housing from motor and inspect the pump rotor for damage. If damaged, replace rotor assembly. 4) If wiring is correct, pump rotor is okay, and motor is not rotating freely, replace motor or power-pack assembly. 5) Replace oil flame control assembly.
Unable to Detect Flame	<ol style="list-style-type: none"> 1) Check wiring to cad cell (per wiring schematic in manual). 2) Clean cad cell photo cell. <ol style="list-style-type: none"> a) Slide cad cell out of cad cell holder. b) Push the photo cell out of the black rubber cad cell housing by pushing on the 2 purple wires. c) Clean the photo cell with a soft cloth and rubbing alcohol. d) Pull the photo cell back into the cad cell housing and reinstall into holder. e) Test heater. 3) If the heater still does not operate, replace cad cell. 4) Replace oil flame control assembly.
Flame Control Failure	<ol style="list-style-type: none"> 1) Check wiring in heater (per wiring schematic in manual). 2) Replace oil flame control assembly.

NEVER LEAVE THE HEATER UNATTENDED WHILE BURNING!

WIRING DIAGRAM



The parts lists and wiring diagram show the heater as it was constructed. Do not use a heater which is different from that shown. Heater performance is effected by air pressure setting. If there is any uncertainty about the air pressure

setting, have it checked.

A heater which is not working right must be repaired, but only by a trained, experienced service person.

NEVER LEAVE THE HEATER UNATTENDED WHILE BURNING!



OPERATING INSTRUCTIONS AND OWNER'S MANUAL

Model #

MH50KR, MH75KTR,
MH125KTR, MH175KTR,
MH210KTR



WARNING:

USE ONLY MANUFACTURER'S REPLACEMENT PARTS. USE OF ANY OTHER PARTS COULD CAUSE INJURY OR DEATH. REPLACEMENT PARTS ARE ONLY AVAILABLE DIRECT FROM THE FACTORY AND MUST BE INSTALLED BY A QUALIFIED SERVICE AGENCY.

PARTS ORDERING INFORMATION:

PURCHASING: Accessories may be purchased at any Mr. Heater local dealer or direct from the factory

FOR INFORMATION REGARDING SERVICE

Please call Toll-Free 800-251-0001
www.mrheater.com

Our office hours are 8:00 AM – 5:00 PM, EST, Monday through Friday.

Please include the model number, date of purchase, and description of problem in all communication.

LIMITED WARRANTY

Mr. Heater, Inc. warrants its heaters and accessories to be free from defects in material and workmanship for a period of 1 year from date of purchase. Mr. Heater, Inc. will repair or replace this product free of charge if it has been proven to be defective within the 1-year period, and is returned at customer expense with proof of purchase to Mr. Heater, Inc. within the warranty period.

Some states do not allow the exclusion or limitation of incidental or consequential damages, so the above limitation or exclusion may not apply to you. This Warranty gives you specific legal rights, and you may have other rights which vary from state to state.

Mr. Heater, Inc. reserves the right to make changes at any time, without notice or obligation, in colors, specifications, accessories, materials and models.

MR. HEATER, INC., 4560 W. 160TH ST., CLEVELAND, OHIO 44135 • 800-251-0001
Mr. Heater is a registered trademarks of Mr. Heater, Inc.
© 2020, Mr. Heater/Mr. Heater. All rights reserved



UL733, CSA B140.8, CSA B140.9.3

NE JAMAIS LAISSER LE CHAUFFAGE SANS SURVEILLANCE PENDANT LE BRÛLAGE!

GUIDE D'UTILISATION ET INSTRUCTIONS DE FONCTIONNEMENT



APPAREIL DE CHAUFFAGE À AIR PULSÉ AU KÉROSÈNE

Modèle #

MH50KR, MH75KTR,
MH125KTR, MH175KTR,
MH210KTR

LISEZ SOIGNEUSEMENT LES INSTRUCTIONS. Lisez et observez toutes les instructions. Conservez les instructions pour vous y référer ultérieurement. Interdisez à quiconque n'ayant pas lu les présentes instructions d'assembler, d'allumer, de régler ou de faire fonctionner cet appareil de chauffage.



⚠ AVERTISSEMENT : Le non-respect des instructions, telles qu'indiquées dans le présent guide, risque d'entraîner une explosion ou un incendie entraînant des dommages matériels ou des blessures graves, voire mortelles.

- N'entreposez pas et n'utilisez pas d'essence ou d'autres liquides ou vapeurs inflammables à proximité de ce type d'appareil.
- L'entretien doit être effectué par un fournisseur de services d'entretien qualifié.

Cet appareil de chauffage portatif n'est pas ventilé. Il utilise l'oxygène de l'air ambiant. Une circulation d'air adéquate doit être assurée pour la combustion et la ventilation. Voir page 3.

AVERTISSEMENT :

⚠ VOTRE SÉCURITÉ PERSONNELLE ÉTANT IMPORTANTE POUR TOUS, VEUILLEZ LIRE LES INSTRUCTIONS AVANT D'UTILISER CET APPAREIL DE CHAUFFAGE.

AVERTISSEMENT GÉNÉRAL DE DANGER :

- ⚠ LE NON-RESPECT DES MESURES DE PRÉVENTION ET INSTRUCTIONS FOURNIES AVEC CET APPAREIL DE CHAUFFAGE RISQUE DE CAUSER LA MORT, DES BLESSURES GRAVES ET DES DOMMAGES OU DES PERTES MATÉRIELLES RÉSULTANT D'INCENDIE, D'EXPLOSION, DE BRÛLURE, D'ASPHYXIE, D'INTOXICATION AU MONOXYDE DE CARBONE OU D'ÉLECTROCUTION.
- ⚠ SEULES LES PERSONNES APTES À COMPRENDRE ET À RESPECTER LES INSTRUCTIONS DEVRAIENT UTILISER OU EFFECTUER L'ENTRETIEN DE CET APPAREIL DE CHAUFFAGE.
- ⚠ SI VOUS AVEZ BESOIN D'AIDE OU D'INFORMATION AU SUJET DE L'APPAREIL DE CHAUFFAGE (MANUEL D'INSTRUCTIONS, ÉTIQUETTES, ETC.), VEUILLEZ COMMUNIQUER AVEC LE FABRICANT.

AVERTISSEMENT :

⚠ **LE MONOXYDE DE CARBONE PEUT VOUSTUER.**
UTILISATION D'UN CHAUFFE PORTABLE DANS UN ESPACE CLOS PEUT PRODUIRE AU MONOXYDE DE CARBONE MORTEL.

AVERTISSEMENT :

⚠ NON CONÇU POUR ÊTRE UTILISÉ DANS UNE HABITATION OU UN VÉHICULE RÉCRÉATIF.

AVERTISSEMENT :

⚠ DANGER D'INCENDIE, D'EXPLOSION ET D'INHALATION. CONSERVEZ LES MATÉRIAUX COMBUSTIBLES TELS QUE LES MATÉRIAUX DE CONSTRUCTION, LE PAPIER ET LE CARTON À UNE DISTANCE SÉCURITAIRE DE L'APPAREIL DE CHAUFFAGE COMME LE RECOMMANDENT LES INSTRUCTIONS. N'UTILISEZ JAMAIS L'APPAREIL DE CHAUFFAGE DANS UN LOCAL QUI CONTIENT OU RISQUE DE CONTENIR DES PARTICULES COMBUSTIBLES EN SUSPENSION DANS L'AIR OU DES PRODUITS TELS QUE DE L'ESSENCE, DES SOLVANTS, DU DILUANT À PEINTURE, DES PARTICULES DE POUSSIÈRE OU DES PRODUITS CHIMIQUES INCONNUS.

AVERTISSEMENT :

⚠ L'UTILISATION DE CET APPAREIL GÉNÈRE DES SOUS-PRODUITS DE COMBUSTION CONTENANT DU MONOXYDE DE CARBONE, PRODUIT CHIMIQUE RECONNU PAR L'ÉTAT DE LA CALIFORNIE COMME CAUSE DE CANCER ET D'ANOMALIES CONGÉNITALES (OU AUTRES RISQUES POUR LA REPRODUCTION).
CET APPAREIL CONTIENT DES PRODUITS CHIMIQUES RECONNUS PAR L'ÉTAT DE CALIFORNIE COMME POUVANT CAUSER LE CANCER ET DES MALFORMATIONS CONGÉNITALES OU AUTRES DOMMAGES AU SYSTÈME REPRODUCTEUR.

AVERTISSEMENT :

- N'EMPLOYEZ PAS D'ESSENCE, DE NAPHTHE OU DE PRODUITS COMBUSTIBLES VOLATILS.
- ARRÊTEZ L'APPAREIL DE CHAUFFAGE AVANT D'AJOUTER DU COMBUSTIBLE.
- REMPLISSEZ TOUJOURS LE RÉSERVOIR À L'EXTÉRIEUR, LOIN D'UNE FLAMME NUE.
- N'UTILISEZ PAS DE SOURCE DE COMBUSTIBLE EXTERNE.
- NE FAITES PAS FONCTIONNER L'APPAREIL DE CHAUFFAGE SI DES VAPEURS OU DES LIQUIDES INFLAMMABLES RISQUENT D'ÊTRE PRÉSENTS.
- NE DÉMARREZ PAS L'APPAREIL DE CHAUFFAGE SI LA CHAMBRE DE COMBUSTION EST CHAUDE.
- NE DÉMARREZ PAS L'APPAREIL DE CHAUFFAGE SI UN SURPLUS DE COMBUSTIBLE S'EST ACCUMULÉ DANS LA CHAMBRE DE COMBUSTION.
- NE PLACEZ PAS D'USTENSILES DE CUISSON SUR L'APPAREIL DE CHAUFFAGE.
- BRANCHEZ LE CORDON ÉLECTRIQUE DANS UNE PRISE À TROIS BROCHES ADÉQUATEMENT MISE À LA TERRE.

AVERTISSEMENT RELATIF AUX MODÈLES MH50KR ET MH75KTR :

Non conçu pour être utilisé sur des planchers de bois ou d'autres matériaux combustibles. Lors de son fonctionnement, l'appareil de chauffage doit reposer sur un matériau isolant adéquat d'au moins 2,5 cm (1 po) d'épaisseur et dépassant l'appareil d'au moins 90 cm (3 pi) de tous les côtés.

TABLE DES MATIÈRES

AVERTISSEMENTS 2
 FICHE TECHNIQUE 3
 PRÉCAUTIONS LIÉES AU FONCTIONNEMENT 3
 PRÉCAUTIONS LIÉES À LA SÉCURITÉ 3
 INSTRUCTIONS D'UTILISATION 3
 ENTRETIEN, ENTREPOSAGE ET RÉPARATION 4
 DÉPANNAGE 6
 SCHÉMA DE CÂBLAGE 7
 LISTE DES PIÈCES 8
 VUE ÉCLATÉE 9
 GARANTIE 10
 INSTRUCTIONS POUR LA COMMANDE DE PIÈCES 10






LANGUES

ANGLAIS 1-10
 ► FRANÇAIS 1-10
 ESPAGNOL 1-12

SPÉCIFICATIONS

PRUDENCE : CSA certifié pour l'utilisation avec seulement No. 1-K le combustible de pétrole.

L'usine évaluée: No.2-K, No. 1 ou le gazole de No. 2, No. 1 ou le fuel de No. 2 ou le Jet de JP8

Modèles	MH50KR	MH75KTR	MH125KTR	MH175KTR	MH210KTR
Taux de combustion :	50 000 Btu/h (14,7 kW)	75 000 Btu/h (22 kW)	125 000 Btu/h (37 kW)	175 000 Btu/h (51 kW)	210 000 Btu/h (61,5 kW)
Consommation de combustible :	0,37 gal/h (1,4 L/h)	0,55 gal/h (2,1 L/h)	0,96 gal/h (3,5 L/h)	1,3 gal/h (5,0 L/h)	1,6 gal/h (6,0 L/h)
Consommation électrique :	115 V, 60 Hz, 3,5 A	115 V, 60 Hz, 4 A	115 V, 60 Hz, 5,5 A	115 V, 60 Hz, 5,5 A	115 V, 60 Hz, 5,5 A
Courant maximal :	10 A	10 A	20 A	20 A	20 A
Temp. minimale de fonctionnement :	110 V	110 V	110 V	110 V	110 V
Pression :	3,5 psig (24 kPa)	4,2 psig (29 kPa)	5,0 psig (35 kPa)	6,8 psig (47 kPa)	8,4 psig (58 kPa)
Température de sortie maximale :	704 °C (1 300 °F)	704 °C (1 300 °F)	704 °C (1 300 °F)	704 °C (1 300 °F)	704 °C (1 300 °F)
Capacité du réservoir :	15,1 l (4 gal.)	22,7 l (6 gal.)	32 l (8,45 gal.)	51 l (13,5 gal.)	51 l (13,5 gal.)
Allumage :	Par étincelle, en continu	Par étincelle, en continu	Par étincelle, en continu	Par étincelle, en continu	Par étincelle, en continu
Générateur d'étincelle :	Allumeur 13 kV, 10 mA	Allumeur 13 kV, 10 mA	Allumeur 13 kV, 10 mA	Allumeur 13 kV, 10 mA	Allumeur 13 kV, 10 mA
Appareil de commande :	Commande transistorisée	Commande transistorisée	Commande transistorisée	Commande transistorisée	Commande transistorisée
Certification :					

PRÉCAUTIONS LIÉES AU FONCTIONNEMENT

Cet appareil de chauffage à air pulsé et à feu direct fonctionne au kérosène. Il est destiné principalement à chauffer temporairement des édifices en construction, en rénovation ou en réparation.

Le fonctionnement à feu direct de cet appareil signifie que tous les produits de combustion se retrouvent dans l'air ambiant. Même si la combustion de l'appareil de chauffage est presque complète, il produit quand même de petites quantités de monoxyde de carbone. Le monoxyde de carbone (appelé CO) est toxique. Il est possible que le CO s'accumule dans le local à chauffer. Une ventilation inadéquate pourrait ainsi causer la mort. Les symptômes ressentis en cas de ventilation inadéquate sont les suivants :

- mal de tête
- étourdissement
- sensation de brûlure au nez et aux yeux
- nausée
- mal de gorge ou bouche sèche

Assurez-vous de respecter les conseils au sujet de la ventilation mentionnés dans la section Précautions liées à la sécurité.

Un appareil à air pulsé signifie que l'air est soufflé dans l'appareil de chauffage par une soufflerie. La qualité de la combustion dépend du débit d'air. Par conséquent, l'appareil de chauffage ne doit pas être modifié ni être utilisé si des pièces sont manquantes. De même, les systèmes de sécurité ne doivent pas être contournés ni modifiés pour faire fonctionner l'appareil.

Lorsque l'appareil de chauffage doit fonctionner en présence d'autres personnes, l'utilisateur est responsable d'informer ces dernières des instructions et précautions liées à la sécurité et de les avertir des dangers inhérents.

PRÉCAUTIONS LIÉES À LA SÉCURITÉ

1. Recommandé pour l'utilisation avec le combustible de pétrole No.1-K. L'usine évaluée pour l'utilisation avec le pétrole No.2-K, No. 1 ou le gazole de No. 2, No. 1 ou le fuel de No. 2 ou le Jet de JP8. Un combustible et ces combustibles peuvent être utilisés aussi. N'utilisez jamais de l'essence, le pétrole égoutté des cas de fanatique, le naphte, du diluant pour peintures, de l'alcool ou autres combustibles extrêmement inflammables.
2. Vérifiez attentivement si l'appareil de chauffage a subi des dommages. NE FAITES PAS fonctionner un appareil endommagé.
3. NE MODIFIEZ PAS l'appareil de chauffage et ne le faites pas fonctionner s'il n'est plus dans son état d'origine.
4. Convient pour une utilisation en extérieur ou à l'intérieur lorsque

la ventilation est adéquate. Ne jamais utiliser dans des zones normalement habitables. Ne pas utiliser lorsqu'il est exposé aux intempéries. L'appareil ne doit pas être exposé aux intempéries.

5. Faites fonctionner l'appareil dans des endroits bien aérés en laissant une ouverture d'au moins 0,19 m (2 pi) près du plancher et une autre d'au moins 0,19 m (2 pi) près du plafond, qui donnent directement sur l'extérieur. Augmentez la dimension de ces ouvertures tel qu'indiqué pour chaque appareil de chauffage additionnel.
6. Gardez tous les matériaux combustibles, comme le papier et le bois, à au moins 2,4 m (8 pi) de la sortie de l'appareil de chauffage et à 1,0 m (3 pi) du dessus et des côtés de l'appareil ainsi que de la prise d'air. Placez l'appareil à 3 m (10 pi) des toiles et des revêtements plastiques, et fixez-les afin d'empêcher tout battement.
7. Attention : En raison des températures élevées à la surface et à la sortie, les adultes et les enfants doivent respecter les distances de sécurité pour éviter les brûlures et l'inflammation des vêtements. Ne touchez pas à l'appareil. Gardez les enfants, les vêtements et les produits combustibles à bonne distance de l'appareil.
8. Placez l'appareil de chauffage de façon à ce qu'il ne soit pas exposé directement à l'eau.
9. Ne l'utilisez jamais dans des endroits qui servent normalement à l'habitation ni où sont présents des enfants.
10. Utilisez uniquement sur des surfaces stables et de niveau. (Modèles MH50KR et MH75KTR – Voir l'avertissement au sujet des planchers de bois.)
11. N'utilisez pas l'appareil avec des conduits d'air. N'obstruez pas l'entrée et la sortie d'air.
12. Utilisez uniquement avec l'alimentation électrique spécifiée. Le raccordement électrique et la mise à la terre doivent être conformes au Code national de l'électricité – ANSI/NFPA 70 (É.-U.) – et au Code canadien de l'électricité – CSA C22.1 – partie 1 (Canada).
13. N'utilisez qu'avec une fiche ou une rallonge mise à la terre munie de trois broches.
14. Ne déplacez pas l'appareil, ne lui touchez pas et n'essayez pas d'en faire l'entretien lorsqu'il est chaud.
15. Utilisez-le uniquement en conformité avec les codes, les ordonnances et les exigences de la province, de l'État ou de la municipalité concernés.

INSTRUCTIONS DE FONCTIONNEMENT DÉBALLAGE

1. Retirez l'appareil de chauffage de la boîte.
2. Enlevez tout le matériel de protection installé sur l'appareil pour le transport.

NE JAMAIS LAISSER LE CHAUFFAGE SANS SURVEILLANCE PENDANT LE BRÛLAGE!

3. Vérifiez soigneusement tout dommage qu'aurait pu subir l'appareil de chauffage pendant l'expédition. Si vous constatez quelque dommage, avisez immédiatement le fabricant au 1 800 251-0001.

ASSEMBLAGE (Pour modèles de 125 000, 175 000 et 210 000 BTU/h uniquement, voir la figure 1, page 8.)

Les roues et les poignées se trouvent dans la boîte avec les pièces servant à l'assemblage. Les roues, l'essieu et les pièces servant à l'assemblage se trouvent dans un emballage. Les outils nécessaires sont une clé de 5/16 po, une clé ou une clé à molette de 3/8 po et une pince ordinaire.

1. Assemblez les roues sur le cadre de support tel qu'illustré.
2. Insérez l'une des goupilles fendues dans le trou situé au bout de l'essieu.
3. Insérez la grande rondelle sur l'essieu, à côté de la goupille fendue, puis la roue.
4. Insérez un séparateur sur l'essieu jusqu'à côté de la roue.
5. Insérez l'essieu partiellement assemblé dans le cadre de support des roues.
6. Insérez un séparateur sur l'essieu jusqu'à côté du support de roue.
7. Insérez la roue sur l'essieu, puis la grande rondelle et fixez-les en place avec l'autre goupille fendue.
8. Installez les capuchons sur les grandes rondelles pour terminer l'assemblage des roues.

AVANT LE FONCTIONNEMENT

1. Vérifiez soigneusement tout dommage qu'aurait pu subir l'appareil de chauffage pendant l'expédition. Si vous constatez des dommages, avisez **immédiatement** le fabricant au 1 800 251-0001.
2. Respectez toutes les « Précautions ».
3. Remplissez le réservoir de kérosène propre. Dans des conditions de froid intense, il est possible que de la condensation se forme dans le réservoir. Il est donc recommandé d'ajouter une cuillère à table de liquide antigivrant par 4 litres (1 gallon) de combustible. Utilisez au moins 8 litres (2 gallons) de combustible lors du remplissage du réservoir. Assurez-vous que l'appareil de chauffage est de niveau et que le réservoir ne déborde pas. Servez-vous d'un entonnoir ou d'un contenant muni d'un long bec verseur.

IMPORTANT : Avant de remplir le réservoir la première fois ou après des périodes d'entreposage prolongées, enlevez-en la condensation.

4. Placez l'appareil de chauffage à une distance sécuritaire des matériaux combustibles. Les modèles MH50KR et MH75KTR ne sont pas conçus pour être utilisés sur des planchers de bois ni d'autres matériaux combustibles. Lors de son fonctionnement, l'appareil de chauffage doit reposer sur un matériau isolant adéquat d'au moins 2,5 cm (1 po) d'épaisseur et dépassant l'appareil d'au moins 90 cm (3 pi) ou plus de tous les côtés.

DÉMARRAGE DE L'APPAREIL

1. **MH50KR** : Branchez le câble d'alimentation dans une prise mise à la terre de 115 V, 60 Hz, 1 Ø.

MH75KTR, MH125KTR, MH175KTR et MH210KTR : Réglez le thermostat au minimum et assurez-vous que l'interrupteur est à « OFF ». Branchez le cordon de l'appareil de chauffage dans une prise mise à la terre de 115 V, 60 Hz, 1 Ø. Réglez le thermostat à sa position la plus élevée. Démarrez l'appareil de chauffage en mettant l'interrupteur à « ON » (Marche) (La lumière s'allume à la position « ON »). Réglez le thermostat à la température désirée. L'appareil de chauffage s'arrêtera et redémarrera au besoin.

CONDITIONS POUR UTILISER UNE RALLONGE ÉLECTRIQUE : pour une rallonge jusqu'à 30,5 m (100 pi), conducteurs de calibre 16; pour une rallonge de 30,5 à 61 m (101-200 pi), conducteurs de calibre 14.

Pour tous les modèles :

- Lorsque la température est inférieure à -12 °C (10 °F), le démarrage sera facilité si l'on met un doigt sur l'orifice de ventilation de la

vis de réglage de pression jusqu'à ce que l'appareil de chauffage démarre.

- Cet appareil est équipé d'un disjoncteur intégré à l'interrupteur marche-arrêt. Si l'appareil ne démarre pas, placez l'interrupteur à « OFF », attendez 5 minutes et placez-le à « ON ».

ARRÊT DE L'APPAREIL

1. **MH50KR** : Débranchez l'appareil.
MH75KTR, MH125KTR, MH175KTR et MH210KTR : Placez l'interrupteur à « OFF ». Pour un arrêt prolongé, débranchez l'appareil de chauffage de sa source d'alimentation.

REDÉMARRAGE APRÈS UN ARRÊT D'URGENCE (MH50KR, MH75KTR, MH125KTR, MH175KTR et MH210KTR) Voir page 7.

MH50KR : Débranchez l'appareil, attendez cinq minutes puis rebranchez l'appareil.

MH75KTR, MH125KTR, MH175KTR et MH210KTR : Placez l'interrupteur à « OFF », attendez 5 minutes puis démarrez l'appareil.

ENTRETIEN ET ENTREPOSAGE

AVERTISSEMENT. Pour éviter toute blessure, débranchez l'appareil de chauffage de la prise murale avant d'en effectuer l'entretien.

Pour optimiser le fonctionnement et éviter les problèmes, effectuez régulièrement les inspections, le nettoyage et l'entretien suivants.

RÉGLAGE DE PRESSION DE LA POMPE

En raison des variations de viscosité des combustibles et de l'usure normale des pièces, il peut devenir nécessaire de régler la pression de la pompe.



Régler la pression vis

(située à l'arrière de l'appareil de chauffage)



JAUGE DE PRESSION

POUR RÉGLER LA PRESSION :

1. Remplissez le réservoir.
2. Démarrez l'appareil.
3. Repérez la vis du régulateur de pression de combustible. Cette vis est située à l'arrière, sous le couvercle du boîtier de filtre à air (à environ 2 po à partir de la gauche et 1 po à partir du haut).
4. Retirer et le capuchon en caoutchouc sur la vis de réglage de la pression du carburant.
5. À l'aide d'un tournevis plat, serrez la vis pour augmenter la pression ou desserrez-la pour réduire la pression. Les pressions nominales sont indiquées dans le tableau des spécifications à la page 3 du Guide d'utilisation et instructions de fonctionnement.
 - dans le sens horaire  augmente la pression de la pompe
 - dans le sens antihoraire  diminue la pression de la pompe

6. Pour une efficacité maximale, le cône avant de la chambre de combustion doit être rouge cerise sans présenter de taches foncées, et la flamme ne doit pas se prolonger au-delà du cône.

SYMPTÔMES DE RÉGLAGE DE PRESSION INCORRECT

Problème : L'appareil ne produit pas une flamme forte et homogène. L'appareil émet de la fumée et éjecte du combustible brut. Le cône avant ne devient pas rouge cerise.

Cause : La pression est trop faible.
Serrez la vis de réglage pour augmenter la pression de la pompe.

Problème : La flamme dépasse l'extrémité du tube de sortie.

Cause : La pression est trop forte.
Desserrez la vis pour réduire la pression de la pompe.

PROGRAMME QUOTIDIEN

1. GÉNÉRAL. Faites une inspection visuelle générale de l'appareil de chauffage pour déceler les pièces endommagées ou desserrées. Inspectez les boulons et les écrous pour vous assurer que les vibrations et les manipulations brusques ne les ont pas desserrés. Les pièces endommagées doivent être réparées ou remplacées avant d'utiliser à nouveau l'appareil de chauffage. Vérifiez si l'appareil fonctionne normalement (consultez la section « Réparation » pour une description du fonctionnement normal).
2. FILTRES. Les filtres à air et à combustible doivent être propres pour assurer l'équilibre du mélange air-combustible. À défaut de quoi, l'odeur augmentera et l'appareil de chauffage démarrera difficilement. Ne faites pas fonctionner l'appareil sans les filtres. Si nécessaire, nettoyez les filtres tel qu'il est décrit aux sections « Programme 500 heures » et « Programme annuel ».

PROGRAMME 500 HEURES

1. FILTRE D'ADMISSION D'AIR. Enlevez le filtre et lavez-le à l'aide d'un détergent doux. Séchez-le à fond et remettez-le en place. Ne huilez pas l'élément filtrant. Si vous utilisez l'appareil dans un endroit contenant beaucoup de poussières et de saletés, nettoyez le filtre aussi souvent que requis (aux 50 heures environ).
2. ENLÈVEMENT DE LA POUSSIÈRE. Nettoyez l'appareil de chauffage deux fois par saison (plus souvent dans les endroits poussiéreux). Enlevez la poussière accumulée sur le transformateur, le brûleur, le moteur et les pales du ventilateur à l'aide d'un jet d'air comprimé. Essuyez les surfaces avec un chiffon sec et propre. Inspectez ces endroits pour vous assurer que toute matière étrangère a été enlevée, particulièrement autour du brûleur et de la zone de combustion.
3. CELLULE AU CADMIUM. Nettoyez la partie vitrée de la cellule au cadmium à l'aide d'un chiffon doux et sec.
4. GICLEUR. L'accumulation de saleté de combustible et de carbone causée par l'aube d'entrée obstruera éventuellement les conduits du gicleur et entraînera une diminution du débit d'air et de combustible. La pression augmentera graduellement, ce qui déséquilibrera le mélange air-combustible et produira un surplus de fumée et d'odeur. Dans un tel cas, remplacez le gicleur.
5. RÉSERVOIR DE COMBUSTIBLE. Nettoyez-le deux fois par saison (au cours des périodes d'utilisation intensive, nettoyez-le deux fois par mois). Rincez et vidangez le réservoir à l'aide de mazout propre.

PROGRAMME ANNUEL

1. FILTRE DE SORTIE D'AIR. Enlevez le filtre de sortie d'air et frappez-en doucement le côté sale sur un objet dur pour enlever les saletés. N'utilisez pas d'air comprimé ni de liquide pour nettoyer le filtre. Remplacez le filtre propre dans son réceptacle dans la position où il était. Si le filtre paraît extrêmement sale, remplacez-le par un autre du même type. En remettant le couvercle du filtre en place, assurez-vous que le joint d'étanchéité est solidement en place et que les vis du couvercle sont assez serrées pour empêcher des fuites d'air.
2. FILTRE À COMBUSTIBLE. Enlevez le filtre de la canalisation de combustible et dirigez de l'air comprimé à travers le filtre dans le sens contraire du débit du combustible. Veuillez porter des lunettes protectrices en utilisant de l'air comprimé.
3. CANALISATIONS D'AIR ET DE COMBUSTIBLE. Si ces canalisations sont enlevées au cours du nettoyage, assurez-vous de bien serrer les raccords avant de faire fonctionner l'appareil.

ENTREPOSAGE

Entreposez l'appareil de chauffage dans un endroit sec exempt de vapeurs et de poussières.

À la fin de chaque saison, nettoyez l'appareil de chauffage tel qu'indiqué dans la section ENTRETIEN. Rincez et vidangez le réservoir à l'aide de combustible propre. Le fabricant recommande de remplir complètement le réservoir de combustible avant un entreposage prolongé pour diminuer les risques de condensation.

Il est recommandé de stocké le kérosène uniquement dans des conteneurs portant la mention «KÉROSÈNE».

ENTRETIEN

Un appareil de chauffage qui a été modifié ou qui ne fonctionne pas correctement risque d'être une cause de dangers.

Lorsque l'appareil de chauffage fonctionne normalement :

- * La flamme reste dans l'appareil de chauffage.
- * La flamme est vraiment jaune.
- * Il n'y a pas de forte odeur désagréable, pas de sensation de brûlure aux yeux, ni de malaise physique général.
- * Il n'y a pas de fumée ni de suie à l'intérieur ou à l'extérieur de l'appareil de chauffage.
- * Il ne se produit pas d'arrêts imprévus ou inexplicables de l'appareil.

NE JAMAIS LAISSER LE CHAUFFAGE SANS SURVEILLANCE PENDANT LE BRÛLAGE!

DIAGNOSTIC ET DÉPANNAGE APRÈS UN ARRÊT D'URGENCE

Ces instructions s'appliquent aux modèles MH125KTR, MH175KTR et MH210KTR.

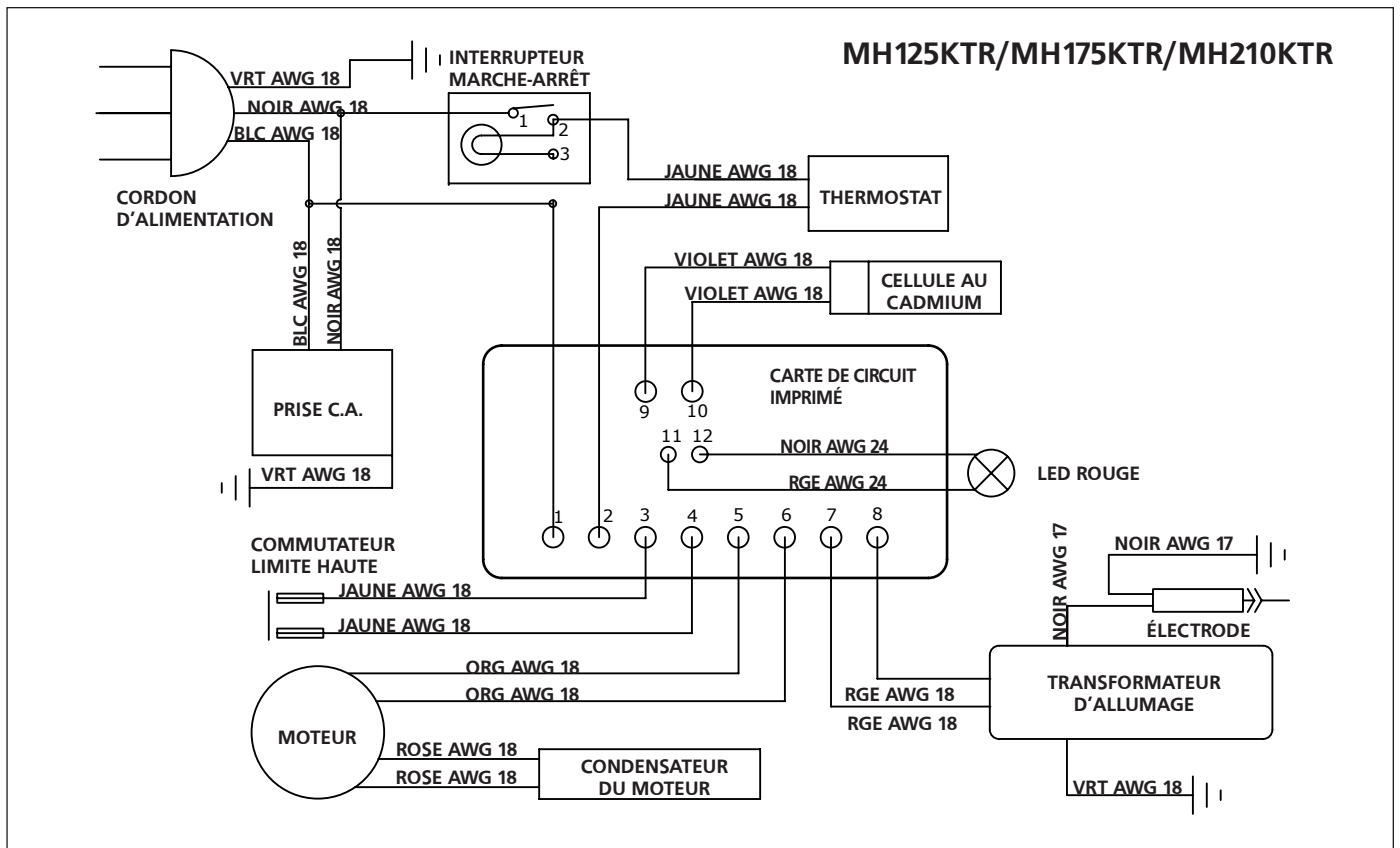
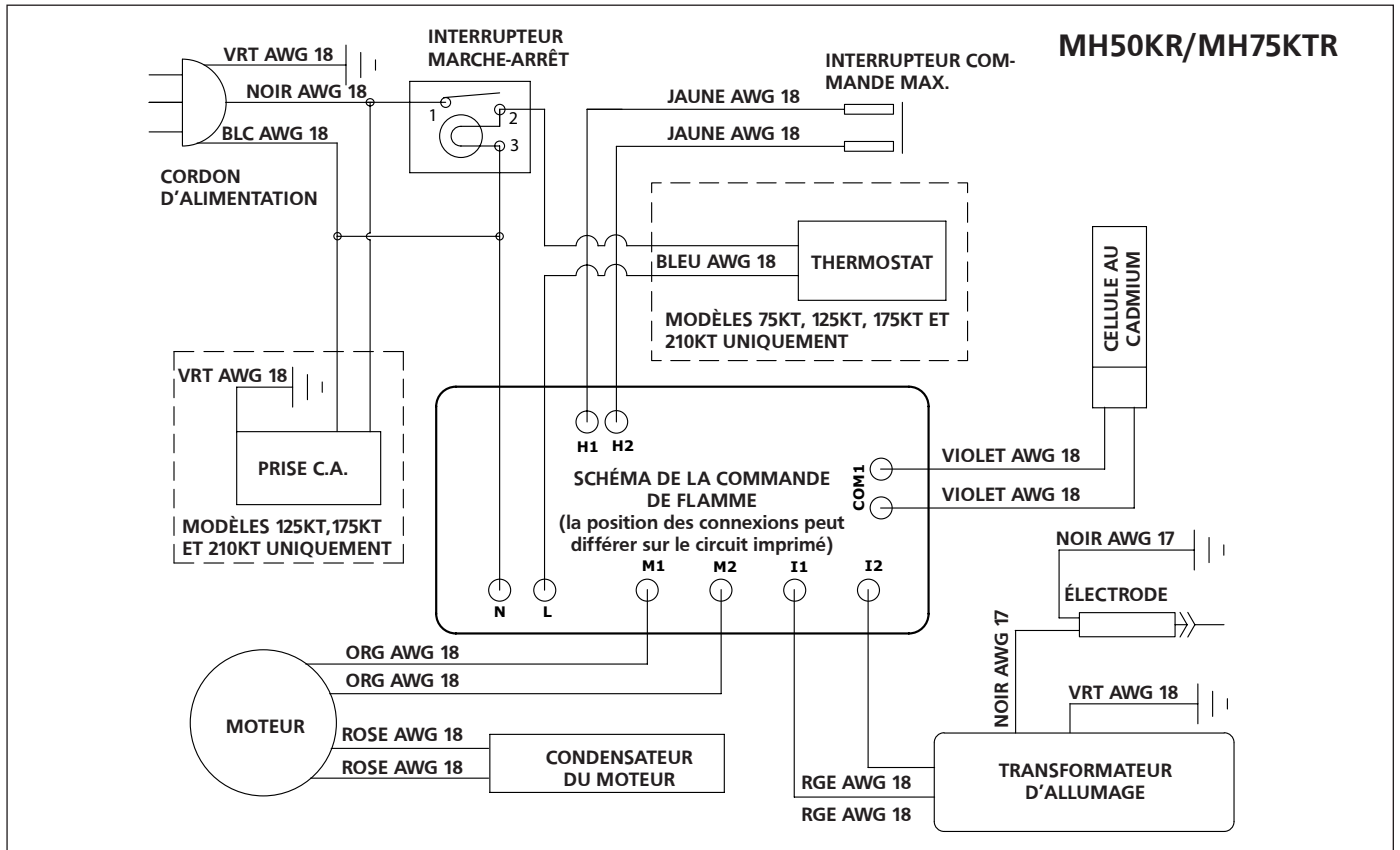
Utilisez le guide de dépannage suivant pour diagnostiquer et corriger les problèmes.

VOYANT	CAUSE	SOLUTION
1 clignotement	Verrouillage du système	1) Assurez-vous que l'appareil est refroidi, appuyez sur le bouton de réinitialisation et essayez de nouveau. (Circuit ouvert du contacteur de commande maximale)
2 clignotements	Verrouillage du système	1) Vérifiez le câblage vers le moteur (selon le schéma de câblage du présent guide). 2) Assurez-vous que le bouchon du manomètre est bien en place et qu'il n'est pas endommagé. 3) Réglez la pression pour assurer le bon fonctionnement de l'appareil de chauffage selon les spécifications du présent guide. (étincelles, appel de flamme, mais 4) Débranchez l'appareil de la source d'alimentation, tournez le ventilateur dans le sens horaire le moteur ne fonctionne pas ou ne fonctionne qu'à très bas régime) pour vous assurer que le moteur peut tourner librement. 5) Retirez le boîtier du filtre à air du moteur et vérifiez si le rotor de la pompe présente des dommages. Le cas échéant, remplacez le rotor. 6) Si le câblage est adéquat, que le rotor est en bon état et que le moteur ne tourne pas librement, remplacez le moteur ou le boîtier d'alimentation. 7) Si le problème persiste, remplacez l'ensemble commande de flamme. 8) Vérifiez la formation d'arc de l'étincelle depuis l'électrode (réf. 50) jusqu'au cylindre de combustion (réf. 39). 9) Vérifiez la continuité de la cellule au cadmium (réf. 38). 10) Assurez-vous que la longueur et le calibre de la rallonge correspondent au courant d'alimentation.
3 clignotements	Verrouillage du système (aucune étincelle)	1) Vérifiez le câblage vers le moteur (selon le schéma de câblage du présent guide). 2) Vérifiez l'écart entre les pointes d'électrode (2,3 à 3 mm). 3) Toujours aucune étincelle; remplacez l'allumeur. 4) Remplacez l'ensemble commande de flamme.
4 clignotements	Verrouillage du système (fonctionnement anormal du moteur - Le moteur surchauffe ou s'arrête)	1) Régime moteur réduit (le moteur doit tourner à 3 450 tr/min - Remplacez le moteur. 2) Débranchez l'appareil de la source d'alimentation, puis tournez le ventilateur dans le sens horaire pour vous assurer que le moteur tourne librement. 3) Retirez le boîtier du filtre à air du moteur et assurez-vous que le rotor de la pompe n'est pas endommagé. Le cas échéant, remplacez le rotor. 4) Si le câblage est adéquat, que le rotor est en bon état et que le moteur ne tourne pas librement, remplacez le moteur ou le boîtier d'alimentation. 5) Remplacez l'ensemble commande de flamme.
5 clignotements	Verrouillage du système (erreur liée au bouton de réinitialisation)	1) Vérifiez le câblage du bouton de réinitialisation. 2) Remplacez le bouton de réinitialisation. 3) Remplacez l'ensemble commande de flamme.
6 clignotements	Verrouillage du système (impossible de détecter une flamme)	1) Vérifiez le câblage vers la cellule au cadmium (selon le schéma de câblage du présent guide). 2) Nettoyez l'élément photoélectrique de la cellule au cadmium. a) Dégagez la cellule au cadmium de son support. b) Dégagez l'élément photoélectrique du caoutchouc blanc du boîtier de la cellule en poussant sur les fils bleu et blanc. c) Nettoyez l'élément photoélectrique avec un chiffon doux et de l'alcool à friction. d) Remettez l'élément photoélectrique dans le boîtier de la cellule au cadmium, puis réinstallez le support. e) Vérifiez le fonctionnement de l'appareil de chauffage. 3) Si l'appareil ne fonctionne toujours pas, remplacez la cellule au cadmium. 4) Remplacez l'ensemble commande de flamme.
	Allumé en permanence	Défaillance de la commande de flamme 1) Vérifiez le câblage de l'appareil de chauffage (selon le schéma de câblage du présent guide). 2) Remplacez l'ensemble commande de flamme.

Ces instructions s'appliquent aux modèles MH50KR et MH75KTR. Utilisez le guide de dépannage suivant pour diagnostiquer et corriger les problèmes.

SYMPTÔME	DÉPANNAGE
Circuit ouvert du contacteur de commande maximale	1) Assurez-vous que l'appareil est refroidi, placez l'interrupteur à « OFF », attendez 5 minutes et redémarrez l'appareil.
Présence d'étincelles et appel de flamme, mais le moteur ne fonctionne pas ou tourne à très bas régime	1) Vérifiez le câblage vers le moteur (selon le schéma de câblage du présent guide). 2) Assurez-vous que le manomètre est bien en place et qu'il n'est pas endommagé. 3) Réglez la pression pour assurer le bon fonctionnement de l'appareil de chauffage selon les spécifications du présent guide. 4) Débranchez l'appareil, puis tournez le ventilateur dans le sens horaire pour vérifier si le moteur tourne librement. 5) Retirez le boîtier du filtre à air du moteur et vérifiez si le rotor de la pompe présente des dommages. Le cas échéant, remplacez le rotor. 6) Si le câblage est adéquat, que le rotor est en bon état et que le moteur ne tourne pas librement, remplacez le moteur ou le boîtier d'alimentation. 7) Si le problème persiste, remplacez l'ensemble commande de flamme. 8) Vérifiez si un arc électrique se produit entre l'électrode et le cylindre de combustion. 9) Vérifiez la continuité de la cellule au cadmium.
Aucune étincelle	1) Assurez-vous que la longueur et le calibre de la rallonge électrique sont conformes aux spécifications (voir page 4). 2) Vérifiez le câblage vers l'allumeur (selon le schéma de câblage du présent guide). 3) Vérifiez l'écart entre les pointes d'électrode (2,3 - 3 mm). 4) S'il n'y a toujours pas d'étincelle, remplacez l'allumeur. 5) Remplacez l'ensemble commande de flamme.
Fonctionnement anormal du moteur – Le moteur surchauffe ou s'arrête	1) Régime moteur trop bas (le moteur doit tourner à 3 450 tr/min) – Remplacez le moteur. 2) Débranchez l'appareil, puis tournez le ventilateur dans le sens horaire pour vérifier si le moteur tourne librement. 3) Retirez le boîtier de filtre à air du moteur et vérifiez si le rotor de la pompe présente des dommages. Le cas échéant, remplacez le rotor. 4) Si le câblage est adéquat, que le rotor est en bon état et que le moteur ne tourne pas librement, remplacez le moteur ou le boîtier d'alimentation. 5) Remplacez l'ensemble commande de flamme.
La flamme n'est pas détectée	1) Vérifiez le câblage vers la cellule au cadmium (selon le schéma de câblage du présent guide). 2) Nettoyez l'élément photoélectrique de la cellule au cadmium. a) Dégagez la cellule au cadmium de son support. b) Dégagez l'élément photoélectrique du caoutchouc noir du boîtier de la cellule en poussant sur les 2 fils violets. c) Nettoyez l'élément photoélectrique avec un chiffon doux et de l'alcool à friction. d) Remettez l'élément photoélectrique dans le boîtier de la cellule au cadmium, puis réinstallez le support. e) Vérifiez le fonctionnement de l'appareil de chauffage. 3) Si l'appareil ne fonctionne toujours pas, remplacez la cellule au cadmium. 4) Remplacez l'ensemble commande de flamme.
Défaillance de la commande de flamme	1) Vérifiez le câblage de l'appareil de chauffage (selon le schéma de câblage du présent guide). 2) Remplacez l'ensemble commande de flamme.

SCHÉMA DE CÂBLAGE



La liste des pièces et le schéma de câblage présentent l'appareil de chauffage tel qu'il a été construit. N'utilisez pas un appareil de chauffage qui diffère de ce qui est illustré. Le rendement de l'appareil de chauffage dépend du réglage de la pression d'air. Si vous avez un doute au sujet de la pression d'air, faites-la vérifier.

Si l'appareil de chauffage ne fonctionne pas correctement, il doit être réparé uniquement par un technicien qualifié.



GUIDE D'UTILISATION ET INSTRUCTIONS DE FONCTIONNEMENT

Modèle #

MH50KR, MH75KTR,
MH125KTR,
MH175KTR, MH210KTR



AVERTISSEMENT :

N'UTILISEZ QUE LES PIÈCES DE RECHANGE DU FABRICANT. L'UTILISATION D'AUTRES PIÈCES RISQUE DE CAUSER DES BLESSURES ET LA MORT. LES PIÈCES DE REMPLACEMENT NE SONT OFFERTES QUE PAR LE FABRICANT ET DOIVENT ÊTRE INSTALLÉES PAR UNE ENTREPRISE SPÉCIALISÉE.

INFORMATIONS SUR LA COMMANDE DE PIÈCES :

ACHAT : On peut se procurer des accessoires auprès de tous les détaillants locaux Mr. Heater ou directement du fabricant.

POUR OBTENIR DES INFORMATIONS SUR LE SERVICE

Appelez sans frais au 1 800 251-0001
www.mrheater.com

Nos heures d'ouverture sont de 8 h 00 à 17 h HNE, du lundi au vendredi.

Veuillez indiquer le numéro du modèle, la date d'achat et la description du problème dans toutes vos communications avec nous.

GARANTIE LIMITÉE

Mr. Heater, Inc. garantit ses appareils de chauffage et ses accessoires contre les défauts de matériel et de main-d'œuvre pour une période de un an à partir de la date d'achat. Mr. Heater Inc. réparera ou remplacera ce produit sans frais s'il est démontré qu'il est devenu défectueux pendant la période de garantie et qu'il est retourné à Mr. Heater Inc. aux frais de l'acheteur avec une preuve d'achat, durant la période de garantie.

Certains états n'autorisent pas l'exclusion ou la limitation des dommages accessoires ou indirects, de sorte que la limitation ou l'exclusion ci-dessus peut ne pas s'appliquer à vous. Cette garantie vous donne des droits légaux spécifiques, et vous pouvez avoir d'autres droits qui varient d'un état à l'autre état.

Mr. Heater Inc. se réserve le droit de modifier en tout temps, sans préavis ni obligation, les couleurs, spécifications, accessoires, matériaux et modèles.

MR. HEATER, INC., 4560 W. 160TH ST., CLEVELAND, OHIO 44135 • 800-251-0001

Mr. Heater est une marque déposée d'Enerco Technical Products, Inc.

©Mr. Heater, 2020. Tous droits réservés.



UL733, CSA B140.8, CSA B140.9.3

¡NUNCA DEJE EL CALENTADOR DESATENDIDO MIENTRAS SE QUEMA!

INSTRUCCIONES DE USO Y MANUAL DEL USUARIO



CALENTADOR DE CALDEO A AIRE FORZADO A KEROSENE

Modelos #

MH50KR, MH75KTR,
MH125KTR, MH175KTR,
MH210KTR

LEA CUIDADOSAMENTE LAS INSTRUCCIONES: lea y siga todas las instrucciones. Conserve estas instrucciones en un lugar seguro para futura referencia. No permita que nadie que no haya leído estas instrucciones arme, encienda, ajuste o use el calentador.



⚠ ADVERTENCIA: si no se siguen al pie de la letra las instrucciones de este manual, podría producirse un incendio o una explosión que provocaría daños materiales, lesiones o muertes.

- No almacene ni utilice gasolina ni ningún otro vapor o líquido inflamable cerca de este o de cualquier otro artefacto.
- El mantenimiento debe realizarlo una agencia de servicio calificada.

Este es un calentador portátil a gas sin fuente propia de ventilación. Utiliza el aire (oxígeno) del área en la cual se emplea. Debe suministrarse el aire necesario para la ventilación y la combustión. Ver página 3.

ADVERTENCIA:

⚠ SU SEGURIDAD ES IMPORTANTE PARA USTED Y PARA LOS DEMÁS, ASÍ QUE POR FAVOR LEA ESTAS INSTRUCCIONES ANTES DE UTILIZAR EL CALENTADOR.

ADVERTENCIA GENERAL DE PELIGRO:

- ⚠ EL NO CUMPLIR CON LAS PRECAUCIONES E INSTRUCCIONES QUE VIENEN CON ESTE CALENTADOR PUEDE CAUSAR LA MUERTE, LESIONES GRAVES Y PÉRDIDAS Y DAÑOS MATERIALES DERIVADOS DEL PELIGRO DE INCENDIO, EXPLOSIÓN, QUEMADURAS, ASFIXIA, ENVENENAMIENTO CON MONÓXIDO DE CARBONO, Y/O DESCARGAS ELÉCTRICAS.
- ⚠ SOLO LAS PERSONAS QUE ENTIENDAN Y PUEDAN SEGUIR LAS INSTRUCCIONES DEBEN USAR O MANTENER ESTE CALENTADOR.
- ⚠ SI NECESITA AYUDA O INFORMACIÓN ACERCA DEL CALENTADOR, COMO UN MANUAL DE INSTRUCCIONES, ETIQUETAS, ETC., PÓNGASE EN CONTACTO CON EL FABRICANTE.

ADVERTENCIA:

⚠ **EL MONÓXIDO DE CARBONO PUEDE CAUSARLE LA MUERTE**
EL USO DE CALENTADORES PORTÁTILES EN UN LUGAR CERRADO PUEDE PRODUCIR MORTAL MONÓXIDO DE CARBONO.

ADVERTENCIA:

⚠ NO APTO PARA USAR EN EL HOGAR NI EN CASAS RODANTES.

ADVERTENCIA:

⚠ PELIGRO DE INCENDIO, QUEMADURAS, INHALACIÓN Y EXPLOSIÓN. MANTENGA LOS COMBUSTIBLES SÓLIDOS, TALES COMO MATERIALES DE CONSTRUCCIÓN, PAPEL O CARTÓN, A UNA DISTANCIA SEGURA DEL CALENTADOR. COMO SE RECOMIENDA EN LAS INSTRUCCIONES, NUNCA USE EL CALENTADOR EN ESPACIOS QUE CONTENGAN O PODRÍAN CONTENER COMBUSTIBLES VOLÁTILES O GASEOSOS, NI PRODUCTOS COMO GASOLINA, SOLVENTES, DILUYENTES DE PINTURA, PARTÍCULAS DE POLVO O PRODUCTOS QUÍMICOS DESCONOCIDOS.

ADVERTENCIA:

⚠ **El estado de California requiere la siguiente advertencia:**
UNA DE LAS SUSTANCIAS QUE SE DESPRENDE EN LA COMBUSTIÓN AL USAR ESTE EQUIPO ES EL MONÓXIDO DE CARBONO, UN PRODUCTO QUÍMICO QUE DE ACUERDO CON EL ESTADO DE CALIFORNIA PRODUCE CÁNCER Y DEFECTOS DE NACIMIENTO (U OTROS DAÑOS REPRODUCTIVOS).

ESTE PRODUCTO CONTIENE SUSTANCIAS QUÍMICAS QUE DE ACUERDO CON EL ESTADO DE CALIFORNIA PRODUCEN CÁNCER Y DEFECTOS DE NACIMIENTO U OTROS DAÑOS REPRODUCTIVOS.

CONTENIDOS

ADVERTENCIAS..... 2
 ESPECIFICACIONES DEL CALENTADOR 3
 PRECAUCIONES DE UTILIZACIÓN 3
 PRECAUCIONES DE SEGURIDAD..... 3
 INSTRUCCIONES DE OPERACIÓN 3
 MANTENIMIENTO, ALMACENAMIENTO Y REPARACIÓN 4
 RESOLUCIÓN DE PROBLEMAS..... 6
 DIAGRAMA DE CABLEADO 7
 LISTA DE PIEZAS 8
 DIAGRAMA EXTENDIDO 9
 GARANTÍA..... 10
 INSTRUCCIONES PARA PEDIR PIEZAS 10

IDIOMAS

INGLÉS..... 1-10
 FRANCÉS..... 1-10
 ► ESPAÑOL..... 1-12

ADVERTENCIA:

- NO UTILICE GASOLINA, NAFTA NI COMBUSTIBLES VOLÁTILES.
- APAGUE EL CALENTADOR ANTES DE AGREGAR COMBUSTIBLES.
- SIEMPRE LLÉNELO EN EL EXTERIOR LEJOS DE LLAMAS EXPUESTAS.
- NO UTILICE UNA FUENTE DE COMBUSTIBLE EXTERNA.
- NO UTILICE EL CALENTADOR DONDE HAYA LÍQUIDOS O VAPORES INFLAMABLES.
- NO ENCIENDA EL CALENTADOR CUANDO LA CÁMARA ESTÉ CALIENTE.
- NO ENCIENDA EL CALENTADOR CUANDO SE HAYA ACUMULADO COMBUSTIBLE EN EXCESO EN LA CÁMARA.
- NO COLOQUE UTENSILIOS DE COCINA SOBRE EL CALENTADOR.
- ENCHUFE EL CABLE ELÉCTRICO EN UN TOMACORRIENTE DE TRES CLAVIJAS CORRECTAMENTE CONECTADO A TIERRA.






⚠ **MH50KR Y MH75KTR
ADVERTENCIA:**

No es adecuado para usar sobre pisos de madera ni sobre otros materiales combustibles. Cuando usa el calentador debe colocarlo sobre un material aislante adecuado de al menos 1 pulgada de espesor y que sobresalga 3 pies o más del calentador en todas las direcciones.

ESPECIFICACIONES

CUIDADO: certificación por CSA para uso únicamente con el combustible a base de kerosene n.º 1-K.

Probado en fábrica para utilizarlo con el kerosene N.º 2-K, diesel N.º 1 o N.º 2, fueloil N.º 1 o N.º 2 o combustible JP8 Jet A

Modelo	50KR	75KTR	125KTR	175KTR	210KTR
Tasa de combustión:	50,000 Btu/h (14.7 kW)	75,000 Btu/h (22 kW)	125,000 Btu/h (37 kW)	175,000 Btu/h (51 kW)	210,000 Btu/h (61.5 kW)
Tasa de combustible:	0.37 gal/h (1.4 L/h)	0.55 gal/h (2.1 L/h)	0.96 gal/h (3.5 L/h)	1.3 gal/h (5.0 L/h)	1.6 gal/h (6.0 L/h)
Entrada de corriente:	115 V, 60 Hz, 3.5 a	115 V, 60 Hz, 4 a	115 V, 60 Hz, 5.5 a	115 V, 60 Hz, 5.5 a	115 V, 60 Hz, 5.5 a
Protección de línea:	10 amperios	10 amperios	20 amperios	20 amperios	20 amperios
Mín.: Voltaje de operación:	110 V	110 V	110 V	110 V	110 V
Configuración de la presión:	3.5 psig (24 kPa)	4.2 psig (29 kPa)	5.0 psig (35 kPa)	6.8 psig (47 kPa)	8.4 psig (58 kPa)
Máx.: Temperatura de salida:	1450 oF (787 oC)	1450 oF (787 oC)	1450 oF (787 oC)	1450 oF (787 oC)	1450 oF (787 oC)
Capacidad del tanque de combustible:	4 galones (15.1 L)	6 galones (22.7 L)	8.45 galones (32 L)	13.5 galones (51 L)	13.5 galones (51 L)
Ignición:	Chispa directa, constante	Chispa directa, constante	Chispa directa, constante	Chispa directa, constante	Chispa directa, constante
Generador de chispas:	Encendedor 13 kV, 10 ma	Encendedor 13 kV, 10 ma	Encendedor 13 kV, 10 ma	Encendedor 13 kV, 10 ma	Encendedor 13 kV, 10 ma
Control de seguridad primario:	Control en el estado sólido	Control en el estado sólido	Control en el estado sólido	Control en el estado sólido	Control en el estado sólido
Certificación:					

PRECAUCIONES DE UTILIZACIÓN

Este es un calentador de caldeo directo a aire forzado de kerosene. Está diseñado principalmente para el calentamiento temporal de edificios en construcción, remodelación o reparación.

De caldeo directo quiere decir que todos los productos de la combustión ingresan al espacio calentado. Aunque este calentador funciona casi a un 100% de eficiencia de combustión, produce pequeñas cantidades de monóxido de carbono. El monóxido de carbono (CO) es tóxico. El CO puede acumularse en el lugar que se calienta y si no se establecen las condiciones de ventilación adecuadas puede resultar mortal. Los síntomas de ventilación inadecuada son:

- dolor de cabeza
- mareos
- ardor en los ojos y en la nariz
- náuseas
- boca reseca o dolor de garganta

Asegúrese de seguir las recomendaciones sobre las condiciones de ventilación que se incluyen en esta sección de precauciones de seguridad.

Aire forzado significa que un soplador o ventilador impulsa el aire a través del calentador. La combustión depende de este flujo de aire para realizarse correctamente, por tanto, el calentador no debe modificarse, alterarse o utilizarse si se le han sustraído o le faltan partes. Asimismo, no se deben alterar ni modificar los sistemas de seguridad para utilizar el calentador.

Cuando deba utilizarse el calentador en presencia de otras personas, el usuario será responsable de poner a los presentes al corriente de las precauciones e instrucciones de seguridad, y de los posibles peligros.

PRECAUCIONES DE SEGURIDAD

1. Se recomienda utilizar con el combustible a base de kerosene N.º 1-K. Probado en fábrica para utilizarlo con el kerosene N.º 2-K, diesel N.º 1 o N.º 2, fueloil N.º 1 o N.º 2 o combustible JP8 Jet A, por lo que también es posible usar estos combustibles. Nunca utilice gasolina, aceite drenado de los cárteres, nafta, diluyentes de pintura, alcohol o cualquier otro combustible altamente inflamable.
2. Revise cuidadosamente si el calentador presenta daños. NO opere un calentador dañado.
3. NO modifique el calentador ni opere un calentador cuya configuración original haya sido modificada.

4. Adecuado para uso en exteriores o en interiores cuando la ventilación adecuada. Nunca utilice normalmente en zonas habitables. No usar cuando se expone a la intemperie.
5. Úselo en áreas bien ventiladas, deje al menos 2 pies cuadrados (0.19 metros cuadrados) de abertura cerca del piso y 2 pies cuadrados (0.19 metros cuadrados) cerca del techo directamente hacia el exterior. Incremente las aberturas de aire tal como se marcan para cada calentador adicional.
6. Siempre mantenga los materiales combustibles, como el papel y la madera, al menos a 8 pies (2.4 m) de distancia de la salida del calentador y a 3 pies (1.0 m) de distancia de la parte superior, los costados y la entrada. Colóquelo a 10 pies (3.0 m) de las cubiertas de lona o plástico y asegúrelas de modo que no para que se mantengan estáticas.
7. Cuidado: dadas las elevadas temperaturas de la superficie y del escape, tanto los adultos como los niños deben mantener la distancia adecuada para evitar quemaduras o la que prenda fuego la ropa. No tocar. Mantener alejados a los niños, la ropa y el combustible.
8. Instale el calentador de forma tal que no esté directamente expuesto a salpicaduras de agua, lluvia y/o agua.
9. Nunca lo use en áreas generalmente habitadas y/o en donde se encuentren niños.
10. Úselo únicamente sobre una superficie nivelada y estable. (MH50KR y MH75KTR – Ver la precaución sobre los pisos de madera).
11. No utilizar en redes de conductos. No restringir las entradas ni las salidas.
12. Utilice únicamente la alimentación de corriente especificada. La conexión eléctrica y a tierra debe cumplir con los requisitos del Código Eléctrico Nacional - ANSI/NFPA 70 (EE. UU.) y del Código Eléctrico Canadiense CSA C22.1, Primera parte (Canadá).
13. Utilice únicamente un cable de extensión o un receptáculo de 3 clavijas correctamente conectado a tierra.
14. No mueva, manipule ni ajuste el calentador mientras esté caliente o encendido.
15. Utilícelo conforme con los requisitos, las ordenanzas y los códigos locales, estatales (provinciales) o nacionales.

INSTRUCCIONES DE OPERACIÓN

DESEMPACADO

1. Saque el calentador de la caja.
2. Quite todo el material de protección aplicado al calentador para su envío.
3. Revise si el calentador para determinar si sufrió daños durante el envío. Si encuentra algún daño, comuníquese inmediatamente con el fabricante al 800-251-0001.

MONTAJE (para los modelos 125,000, 175,000 y 210,000 BTU/h únicamente, ver figura 1, página 8).

Las ruedas y los mangos en la caja de envío vienen junto a los accesorios de montaje. Las ruedas, el eje y los accesorios de montaje se encuentran en un paquete. Las herramientas necesarias son una llave para tuercas de 5/16", una llave inglesa abierta o ajustable de 3/8" y pinzas estándar.

1. Ensamble las ruedas en el soporte para ruedas tal como se muestra.
2. Instale una de las chavetas en el orificio en uno de los extremos del eje.
3. Deslice la arandela grande, luego la rueda para que encajen en el eje junto a la chaveta.
4. Deslice el espaciador en el eje junto a la rueda.
5. Deslice el eje parcialmente ensamblado a través del bastidor de soporte de la rueda.
6. Deslice el espaciador en el eje junto al soporte de la rueda.
7. Deslice la rueda y luego la arandela grande por el eje y manténgalo en su lugar con la chaveta restante.
8. Instale las tapas sobre las arandelas grandes para terminar con el ensamblaje de la rueda.

PREPARATIVOS PARA OPERACIÓN

1. Revise si el calentador para determinar si sufrió daños durante el envío. Si encuentra alguno, comuníquese inmediatamente con el fabricante al 800-251-0001.
2. Siga todas las "Precauciones".
3. Llene el tanque de combustible con kerosene limpio. En condiciones climáticas extremadamente frías, se puede desarrollar la condensación en el tanque, por lo que se recomienda agregar una cucharada de anticongelante por cada galón (4 litros) de combustible en el tanque. Cuando llene el calentador, use al menos 2 galones (8 litros) de combustible. Asegúrese de que el calentador esté nivelado y no lo llene de más. Utilice un embudo o una lata con un pico de llenado largo.

IMPORTANTE: antes de llenar el tanque de combustible la primera vez o después de períodos de almacenamiento extendidos, drene el tanque de combustible para retirar la humedad y la condensación.

4. Coloque el calentador a una distancia segura de los materiales combustibles. Los modelos MH50KR y MH75KTR no son adecuados para usarse en pisos de madera u otros materiales combustibles. Cuando lo use debe colocar el calentador sobre un material aislante adecuado de al menos 1 pulgada de espesor y que sobresalga 3 pies o más del calentador en todas las direcciones.

ENCENDIDO DEL CALENTADOR

1. **MH50KR:** enchufe el calentador en un tomacorriente con clavija de tierra de 115 V, 60 Hz, 1 Ø.
MH75KTR, MH125KTR, MH175KTR y MH210KTR: gire el termostato al ajuste más bajo, asegurándose de que el interruptor "On/Off" quede en la posición "Off". Enchufe el calentador en un tomacorriente con clavija de tierra de 115

V, 60 Hz, 1 Ø. Gire el termostato al ajuste más alto. Para encender el calentador, coloque el interruptor en la posición "On" (la luz significa que el interruptor se encuentra en la posición "ON"). Ajuste el termostato en el valor deseado. El calentador se prende y apaga según se necesite o no calor.
REQUISITOS DEL CABLE DE EXTENSIÓN: hasta 100' (30.5 m) use un conductor de calibre 16 awg. 101' - 200' (30.5 - 61.0 m) use un conductor de calibre 14 awg.

Para todos los modelos:

- En condiciones climáticas frías, (menos de -12 C [10 F]), puede mejorarse el encendido si se pone el dedo sobre el orificio de ventilación de la tapa del tornillo de ajuste de la bomba hasta que el calentador se encienda.
- Esta unidad viene equipada con un circuito de interrupción. El reinicio está integrado al interruptor "On/Off". Si la unidad no se enciende, cambie el interruptor a la posición "Off", espere 5 minutos y cambie el interruptor a la posición "On".

APAGADO DEL CALENTADOR

1. **MH50KR:** desenchufe el calentador de la alimentación.
MH75KTR, MH125KTR, MH175KTR y MH210KTR: ponga el interruptor "On/Off" en la posición "Off". Para un apagado prolongado, desconecte el calentador de la alimentación.

REINICIO LUEGO DEL APAGADO DE SEGURIDAD (MH50KR, MH75KTR, MH125KTR, MH175KTR Y MH210KTR) Ver página 6

MH50KR: desenchufe la unidad. Espere 5 minutos. Enchúfela nuevamente.

MH75KTR, MH125KTR, MH175KTR y MH210KTR: cambie el interruptor a la posición "OFF", espere 5 minutos. Reinicie.

MANTENIMIENTO Y ALMACENAMIENTO

ADVERTENCIA. Para evitar lesiones personales, desenchufe el calentador de la salida de corriente de la pared antes de realizar la reparación.

Para una mayor eficacia y reparación sin problemas, realice las siguientes actividades periódicas de mantenimiento, limpieza e inspección.

AJUSTE DE LA PRESIÓN DE LA BOMBA



Debido a las viscosidades variables de combustible y el desgaste normal de los componentes, puede que deba ajustarse la presión de la bomba de este calentador.

Ajuste de la presión del tornillo
(situado en la parte trasera del calentador)



GAGE DE PRESIÓN

PROCEDIMIENTO DE AJUSTE:

1. Llene el tanque de combustible.
2. Encienda el calentador.
3. Ubique el tornillo de ajuste de presión de combustible. El tornillo de ajuste de presión se encuentra en la parte posterior del calentador, en la tapa de la cubierta del filtro de aire (aprox. a 2" del lado izquierdo y a 1" de la parte superior).
4. Quite y deseche la tapa de goma para dejar expuesto el tornillo.
5. Con un destornillador de punta plana, gire el tornillo de ajuste de presión de la bomba en sentido horario para aumentar la presión de la bomba y/o en sentido antihorario para disminuir la presión de la bomba. Las presiones base de la bomba pueden encontrarse en el cuadro de especificaciones en la página 3 de las "Instrucciones de uso y manual del usuario".
 - en sentido horario para aumentar la presión de la bomba 
 - en sentido antihorario para disminuir la presión de la bomba 
6. Para obtener mejores resultados, el husillo de la cámara de combustión debe ser de color rojo cereza sin puntos oscuros y la llama no debe sobrepasar al husillo.

AJUSTE DE PRESIÓN INADECUADO

Problema: el calentador no mantiene una llama fuerte constante.

El calentador humea y despidе combustible crudo.
El husillo no toma color rojo cereza.

Ajuste: la presión de la bomba es demasiado baja.
Gire el tornillo de ajuste en sentido horario para aumentar la presión de la bomba.

Problema: la llama se extiende más allá del extremo del calentador.

Ajuste: la presión de la bomba es demasiado alta.
Gire el tornillo de ajuste en sentido antihorario para disminuir la presión de la bomba.

CRONOGRAMA DIARIO

1. GENERAL. Realice una inspección visual general del calentador para detectar piezas sueltas o dañadas. Verifique las tuercas y los pernos para asegurarse de que no estén sueltos debido a la vibración o al mal uso. Las piezas dañadas deben repararse o reemplazarse antes de utilizar el calentador nuevamente. Verifique el funcionamiento del calentador para asegurarse de que funcione normalmente (Consulte la sección de "Reparación" para obtener una descripción del funcionamiento normal).
2. FILTROS. El aire o los filtros sucios provocarán un desequilibrio en la mezcla aire-combustible. La mejor indicación de que este problema existe es un aumento en los olores o la dificultad para encender su calentador. No se debe hacer funcionar el calentador sin los filtros en su lugar. Si es necesario, los filtros limpios se describen en "500 horas" y "Cronogramas anuales".

CRONOGRAMA DE 500 HORAS

1. FILTRO DE ADMISIÓN DE AIRE. Quite y lave el elemento del filtro con un detergente suave, séquelo por completo y reemplácelo. No aceite el elemento de filtro. Si su calentador se utiliza en lugares considerablemente sucios o con polvo, límpielo cuantas veces sea necesario (aproximadamente cada 50 horas).
2. QUITA EL POLVO. Limpie el calentador dos veces por temporada (con más frecuencia cuando hay polvo). Quite el polvo acumulado del transformador, quemador, motor y

aspas del ventilador con aire comprimido. Limpie el área con un paño seco y limpio. Inspeccione el área para asegurarse de quitar todos los materiales extraños, especialmente alrededor del quemador y del área de combustión.

3. CÉLULA DEL CAD. Limpie la parte de vidrio de la célula del cad con un paño suave y seco.
4. PICO. La acumulación de suciedad del combustible y del carbón de las aspas del compresor eventualmente llena los pasajes del pico, lo que provoca una reducción del flujo de combustible y aire. La presión aumenta gradualmente y provoca una mezcla inadecuada de combustible y aire, y olor y humo en exceso. Si esto sucede, cambie el pico de combustible.
5. TANQUE DE COMBUSTIBLE. Límpielo dos veces por temporada (durante períodos de uso frecuente, límpielo dos veces por mes). Drene y enjuague el tanque de combustible con fueloil limpio.

CRONOGRAMA ANUAL

1. FILTRO DE SALIDA DE AIRE. Quite el filtro de salida de aire y golpee suavemente el lado contaminado contra un objeto sólido para quitar los contaminantes. El aire comprimido o los líquidos no deben utilizarse para limpiar este filtro. Instale nuevamente el filtro limpio en el cuerpo del filtro en la misma posición en la que estaba cuando se quitó. Si parece que el filtro está demasiado sucio, cámbielo por un nuevo filtro del mismo tipo. Cuando cambie la tapa del filtro, asegúrese de que la junta esté sujeta firmemente en su lugar y que los tornillos de la tapa del filtro estén ajustados para evitar fugas de aire.
2. FILTRO DE COMBUSTIBLE. Quite el filtro de combustible de la línea de combustible y haga pasar el aire comprimido a través del filtro en sentido opuesto al flujo del combustible. Se deben usar gafas de protección cuando se usa aire comprimido.
3. LÍNEAS DE AIRE Y COMBUSTIBLE. Si se quitan las líneas de aire o combustible durante la limpieza, asegúrese de que todas las conexiones estén ajustadas antes de volver a usar la unidad.

ALMACENAMIENTO

Guarde el calentador en un lugar seco sin vapores ni polvo.

Al término de cada temporada de calefacción, limpie el calentador como se describe en la sección de MANTENIMIENTO. Drene y enjuague el tanque de combustible con combustible limpio. El fabricante recomienda llenar el tanque con combustible por completo en caso de almacenamiento prolongado para minimizar la condensación dentro del tanque.

Se recomienda almacenar únicamente queroseno en contenedores marcados con "KEROSENE".

REPARACIÓN

Se puede producir una situación de riesgo si se utiliza un calentador cuya configuración original haya sido modificada o si no está funcionando correctamente.

Cuando el calentador funciona normalmente:

- * La llama arde al interior del calentador.
- * La llama es esencialmente amarilla.
- * No se percibe un olor desagradable fuerte, no arden los ojos y no hay ningún otro tipo de incomodidad física.
- * No hay humo ni hollín dentro ni fuera del calentador.
- * El calentador no se apaga inesperadamente o inexplicablemente.

APAGADO DE SEGURIDAD DE DIAGNÓSTICO Y RESOLUCIÓN DE PROBLEMAS

Los calentadores modelos **MH125KTR**, **MH175KTR** y **MH210KTR** están equipados con una placa de control de diagnóstico y un indicador de error con LED parpadeante. Estas señales LED parpadeantes indican el estado de funcionamiento de la unidad. Consulte la siguiente guía de diagnóstico para ver el estado de la unidad y la acción correctiva, si fuera necesaria.

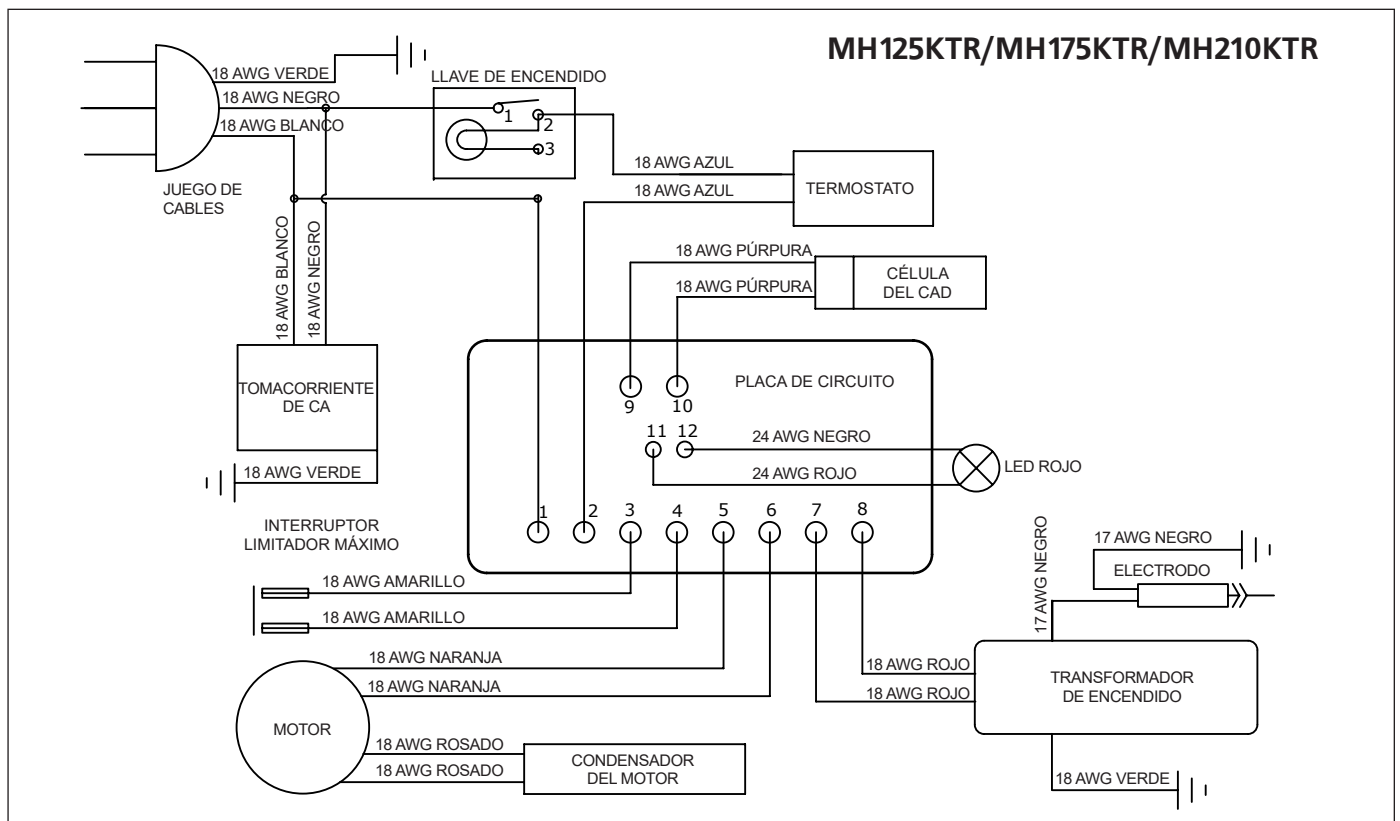
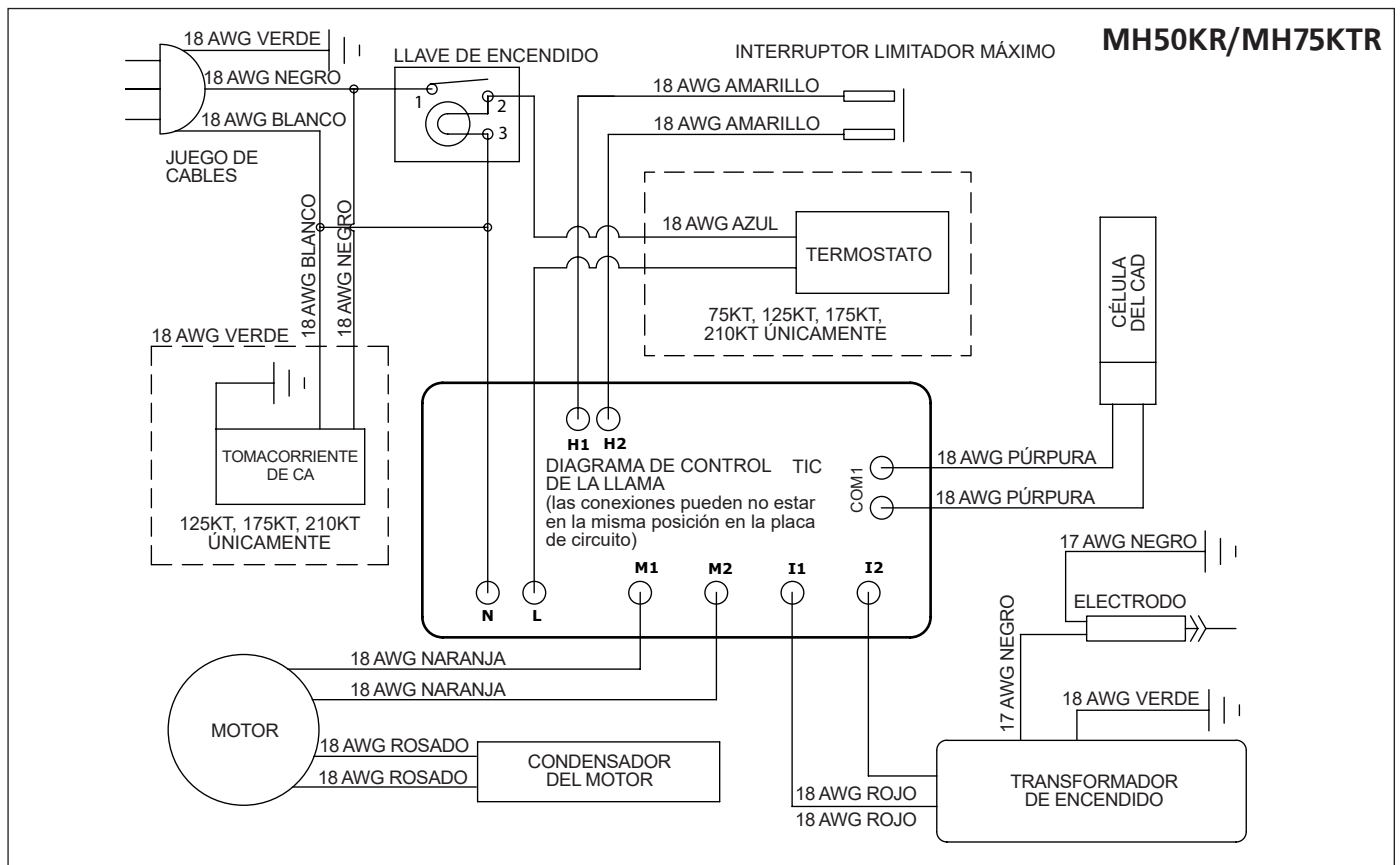
LED	FUNCIONAMIENTO DE LA UNIDAD	RESOLUCIÓN DE PROBLEMAS
ENCENDIDO estable	Verificación del sistema	Sistema realizando la autocomprobación. No se necesita acción.
APAGADO estable	Funcionamiento CORRECTO	No se necesita acción.
2 destellos	No se detecta llama	El calentador no se enciende durante los primeros 30 segundos de funcionamiento. 1. Verifique el cableado al motor (según el esquema de cableado del manual). 2. Asegúrese de que el indicador de presión se encuentre en su lugar y no esté dañado. 3. Ajuste la presión para un funcionamiento adecuado del calentador según el manual. 4. Con el calentador desconectado de la alimentación de CA, gire el ventilador en sentido horario para verificar que el motor esté libre. 5. Quite la cubierta del filtro de aire del motor e inspeccione el rotor de la bomba para verificar si hay daños. Si está dañado, reemplace el conjunto del rotor. 6. Si el cableado es correcto y el rotor de la bomba está en buenas condiciones, pero el motor no gira libremente, reemplace el motor o el conjunto de la unidad de alimentación. 7. Si el problema persiste, reemplace el conjunto de control de la llama de aceite. 8. Verifique el arco de la chispa del electrodo (ref. 50) al cilindro de combustión (ref. 39). 9. Verifique la célula del cad (ref. 38) para probar la continuidad.
3 destellos	Falla del interruptor limitador máximo	1. Asegúrese de que el calentador se haya enfriado por completo, presione el interruptor de reinicio e inténtelo nuevamente.
4 destellos	Falla de la célula del CAD	1. Verifique el cableado a la célula del cad (según el esquema de cableado del manual). 2. Célula del cad limpia, fotocélula. • Deslice la célula del cad para retirarla del sujetador del cad. • Empuje la fotocélula hacia afuera de la cubierta de goma negra de la célula del cad presionando sobre los 2 cables. • Limpie la fotocélula con un paño suave y alcohol. • Tire la fotocélula nuevamente hacia la cubierta de la célula del cad y vuelva a instalarla en el soporte. • Pruebe el calentador. 3. Si el calentador aún no funciona, reemplace la célula del cad. 4. Reemplace el conjunto de control de la llama de aceite.
Luz de encendido	Alimentación a control	1. Detección de alimentación. No se necesita acción.

Los calentadores modelos **MH50KR** y **MH75KTR** NO están equipados con una placa de control de diagnóstico ni con indicador de error con LED parpadeante. Consulte la siguiente guía de resolución de problemas para ver el estado de la unidad y la acción correctiva, si fuera necesaria.

SÍNTOMA	RESOLUCIÓN DE PROBLEMAS
Interruptor limitador máximo en circuito abierto	1) Asegúrese de que el calentador se enfríe por completo, cambie el interruptor a la posición "OFF", espere 5 minutos e inténtelo nuevamente.
Chispas piden llama, pero el motor no funciona o funciona lentamente	1) Verifique el cableado al motor (según el esquema de cableado del manual). 2) Asegúrese de que el indicador de presión esté en su lugar y no esté dañado. 3) Ajuste la presión para un funcionamiento adecuado del calentador según el manual. 4) Con el calentador desconectado de la alimentación de CA, gire el ventilador en sentido horario para verificar que el motor esté libre. 5) Quite la cubierta del filtro de aire del motor e inspeccione el rotor de la bomba para verificar si hay daños. Si está dañado, reemplace el conjunto del rotor. 6) Si el cableado es correcto y el rotor de la bomba está en buenas condiciones, pero el motor no gira libremente, reemplace el motor o el conjunto de la unidad de alimentación. 7) Si el problema persiste, reemplace el conjunto de control de la llama de aceite. 8) Verifique el arco de la chispa del conjunto de electrodo al cilindro de combustión. 9) Verifique la célula del cad para comprobar la continuidad.
Sin chispa	1) Verifique la longitud y el calibre del cable de extensión para comprobar que la corriente arrastrada sea la adecuada. (Verifique los requisitos en la página 4). 2) Verifique el cableado al encendedor (según el esquema de cableado del manual). 3) Verifique el espacio entre las sondas de electrodos (2.3 - 3 mm). 4) Aún sin chispa, reemplace el conjunto del encendedor. 5) Reemplace el conjunto de control de la llama de aceite.
Funcionamiento anormal del motor - El motor se recalienta o se detiene	1) Velocidad del motor demasiado baja (el motor debe funcionar a 3450 rpm) - Reemplace el motor. 2) Con el calentador desconectado de la alimentación de CA, gire el ventilador en sentido horario para verificar que el motor esté libre. 3) Quite la cubierta del filtro de aire del motor e inspeccione el rotor de la bomba para verificar si hay daños. Si está dañado, reemplace el conjunto del rotor. 4) Si el cableado es correcto y el rotor de la bomba está en buenas condiciones, pero el motor no gira libremente, reemplace el motor o el conjunto de la unidad de alimentación. 5) Reemplace el conjunto de control de la llama de aceite.
No se puede detectar la llama	1) Verifique el cableado a la célula del cad (según el esquema de cableado del manual). 2) Célula del cad limpia, fotocélula. a) Deslice la célula del cad para retirarla del sujetador del cad. b) Empuje la fotocélula hacia afuera de la cubierta de goma negra de la célula del cad presionando sobre los 2 cables púrpura. c) Limpie la fotocélula con un paño suave y alcohol. d) Tire la fotocélula nuevamente hacia la cubierta de la célula del cad y vuelva a instalarla en el soporte. e) Pruebe el calentador. 3) Si el calentador aún no funciona, reemplace la célula del cad. 4) Reemplace el conjunto de control de la llama de aceite.
Falla del control de la llama	1) Verifique el cableado en el calentador (según el esquema de cableado del manual). 2) Reemplace el conjunto de control de la llama de aceite.

¡NUNCA DEJE EL CALENTADOR DESATENDIDO MIENTRAS SE QUEMA!

DIAGRAMA DE CABLEADO



Las listas de piezas y el diagrama del cableado muestran la configuración original del calentador. No utilice un calentador que no sea el que se muestra. El ajuste de la presión de aire afecta el rendimiento del calentador. Si hay alguna duda

acerca de la instalación de la presión de aire, haga que la revisen. Si un calentador no funciona correctamente debe ser reparado, pero solo por un técnico de mantenimiento capacitado y experimentado.



INSTRUCCIONES DE USO Y MANUAL DEL USUARIO

Modelos #

MH50KR, MH75KTR, MH125KTR, MH175KTR, MH210KTR



ADVERTENCIA:

USE SOLAMENTE PIEZAS DE REEMPLAZO DEL FABRICANTE. EL USO DE CUALQUIER OTRA PIEZA PODRÍA CAUSAR HERIDAS O LA MUERTE. LAS PIEZAS DE REEMPLAZO ESTÁN DISPONIBLES ÚNICAMENTE EN LA FÁBRICA Y DEBEN SER INSTALADAS POR UNA AGENCIA DE SERVICIO CALIFICADA.

INFORMACIÓN PARA PEDIR PIEZAS:

COMPRAS: los accesorios se pueden comprar en cualquiera de los distribuidores locales de Mr. Heater o directamente de la fábrica

PARA OBTENER INFORMACIÓN ACERCA DE REPARACIONES

Llame sin cargo al 800-251-0001
www.mrheater.com

Nuestro horario de trabajo es de 8:00 a. m. a 5:00 p. m., hora del este, de lunes a viernes.

Incluya el número de modelo, la fecha de compra y la descripción del problema en todas sus comunicaciones.

GARANTÍA LIMITADA

Mr. Heater, Inc. garantiza sus calentadores y accesorios contra defectos de materiales y mano de obra por un período de 1 año a partir de la fecha de compra. Mr. Heater, Inc. reparará o reemplazará este producto sin cargo si presentara desperfectos dentro del primer año tras realizada la compra, siempre y cuando el cliente cubra los gastos de la devolución y presente el comprobante de compra a Mr. Heater, Inc. dentro del período de garantía.

Algunos estados no permiten la exclusión o limitación de daños incidentales o consecuentes, por lo que la limitación o exclusión anterior puede no aplicarse en su caso. Esta garantía le otorga derechos legales específicos, y usted puede tener otros derechos que varían de estado a estado.

Mr. Heater Inc. se reserva el derecho de hacer cambios en cualquier momento y sin previo aviso u obligación, que afecten a los colores, las especificaciones y los accesorios, materiales y modelos.

MR. HEATER, INC., 4560 W. 160TH ST., CLEVELAND, OHIO 44135 • 800-251-0001
Mr. Heater es una marca registrada de Mr. Heater, Inc.
© 2020, Mr. Heater/Mr. Heater. Todos los derechos reservados.



UL733, CSA B140.8, CSA B140.9.3